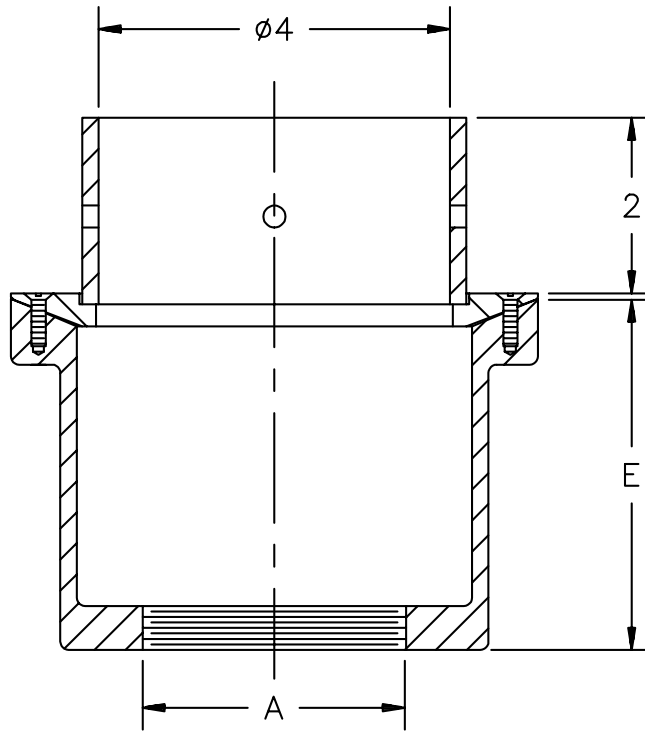




**Z-181-75 6" DIAMETER CORNICE DRAIN
BOTTOM OUTLET**

TAG _____

Dimensions Subject to Manufacturing Tolerances



A- Pipe Size In.	Approx. Wt. Lbs.
3	7
4	8

ENGINEERING SPECIFICATION: ZURN ZRB-181 6" Diameter by 4" High Cornice drain, Dura-Coated cast iron body, perforated standpipe and membrane flashing clamp.

OPTIONS (Check/specify appropriate options)

OUTLET (Specify type)

- _____ **IP** Threaded
- _____ **NH** No-Hub

PIPE SIZE (Specify size)

- _____ 3", 4"
- _____ (IPw/Z-1040)

'E' BODY HT. DIMENSION

4"

PREFIXES

- _____ **ZRB-** D.C.C.I. Body with Perforated Standpipe*

SUFFIXES

- _____ **-G** Galvanized Cast Iron
- _____ **-VP** Vandal Proof Secured Top
- _____ **-8** With 8" High Body

*REGULARLY FURNISHED UNLESS OTHERWISE SPECIFIED

REV. _____	DATE: 10/3/92	C.N. NO. 68598
DWG. NO. P-13751	PRODUCT NO. Z-181-75	

ZURN INDUSTRIES, INC. ♦ SPECIFICATION DRAINAGE OPERATION ♦ 1801 Pittsburgh Ave. ♦ Erie, PA 16514

Phone: 814/455-0921 ♦ Fax: 814/454-7929 ♦ World Wide Web: www.zurn.com

In Canada: ZURN INDUSTRIES LIMITED ♦ 3544 Nashua Drive ♦ Mississauga, Ontario L4V1L2 ♦ Phone: 905/405-8272 Fax: 905/405-1292