



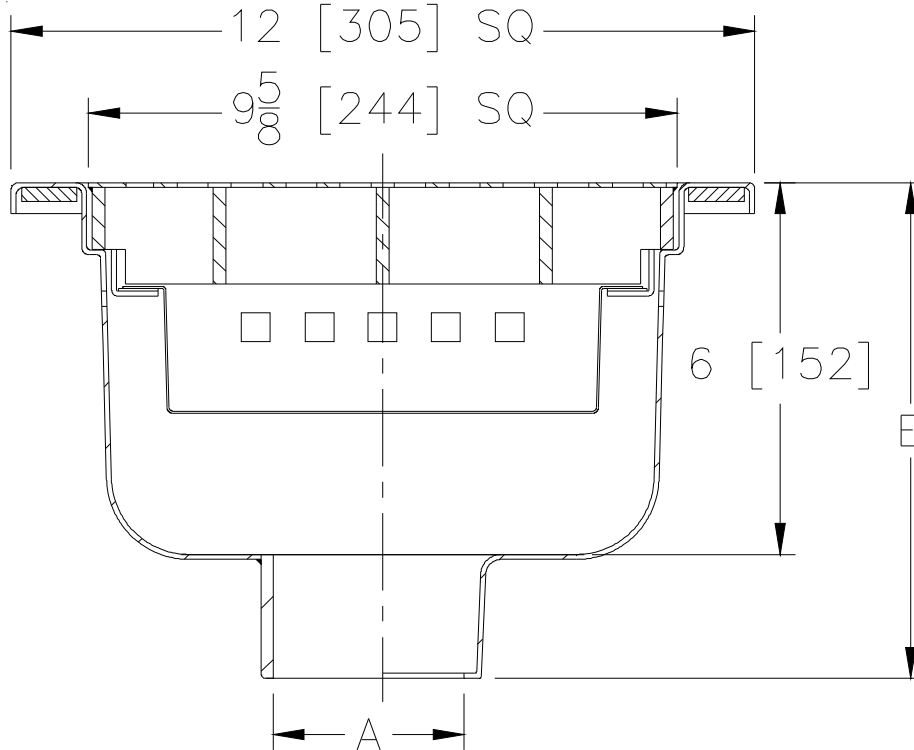
# Z1750-HD-YS

12 x 12 [305 x 305] SANI-FLOR RECEPTOR 6[152]  
 SUMP DEPTH W/ HEAVY-DUTY GRATE &  
 SUSPENDED SEDIMENT BUCKET

SPECIFICATION SHEET

TAG \_\_\_\_\_

Dimensional Data (inches and [ mm ]) are Subject to Manufacturing Tolerances and Change Without Notice



A - Pipe Size In. [mm]	Approx. Wt. Lbs. [kg]	Grate Open Area Sq. In. [cm <sup>2</sup> ]
2, 3, 4 [51, 76, 102]	21 [10]	23 [148]
6 [152]	23 [11]	

**ENGINEERING SPECIFICATION: ZURN Z1750-HD-YS**

12" x 12" x 6" [305mm x 305mm x 152mm] deep, 16 gage, All Type 304 (CF8) Stainless Steel Sani-Flor receptor with non-tilt, loose set extra heavy-duty grate with 1/2" [13mm] square openings and suspended sediment bucket.

**OPTIONS** (Check/specify appropriate options)

**PIPE SIZE**

- 3, 4 [76, 102]
- 2, 3, 4, 6 [51, 76, 102, 152]
- 3, 4 [76, 102]

(Specify size/type) **OUTLET**

- \_\_\_ IC Inside Caulk
- \_\_\_ NH No-Hub
- \_\_\_ NL Neo-Loc

**'E' BODY HT. DIM.**

- 8-9/16 [214]
- 8-1/16 [205]
- 7-13/16 [198]

**PREFIXES**

- \_\_\_ Z Type 304 (CF8) Stainless Steel Body\*
- \_\_\_ ZM Type 316 (CF8M) Stainless Steel

**SUFFIXES**

- |   |   |
|---|---|
| ___ -DX Dex-o-tex Flange                                | ___ -2 1/2 Grate                                      |
| ___ -K Anchor Flange w/ Seepage Holes                   | ___ -3 3/4 Grate                                      |
| ___ -KC Anchor Flange w/ Seepage Holes and Clamp Collar | ___ -4 Full Grate w/ 3 [76] Square Opening            |
| ___ -P 1/2 [13] Trap Primer Connection                  | ___ -5 Grate w/ 4 [102] Dia. x 3-3/4 [95] High        |
| ___ -TC Neo-Loc Test Cap Gasket                         | Type 304 Stainless Steel Funnel                       |
| (3, 4 [76, 102] NL Bottom Outlet Only)                  | ___ -8 Grate w/ 8-3/8 x 3-5/8 x 3-3/4 [213 x 92 x 95] |
| ___ -VP Vandal-Proof Secured Top                        | High Type 304 Stainless Steel Oval Funnel             |

\* Regularly furnished unless otherwise specified.