

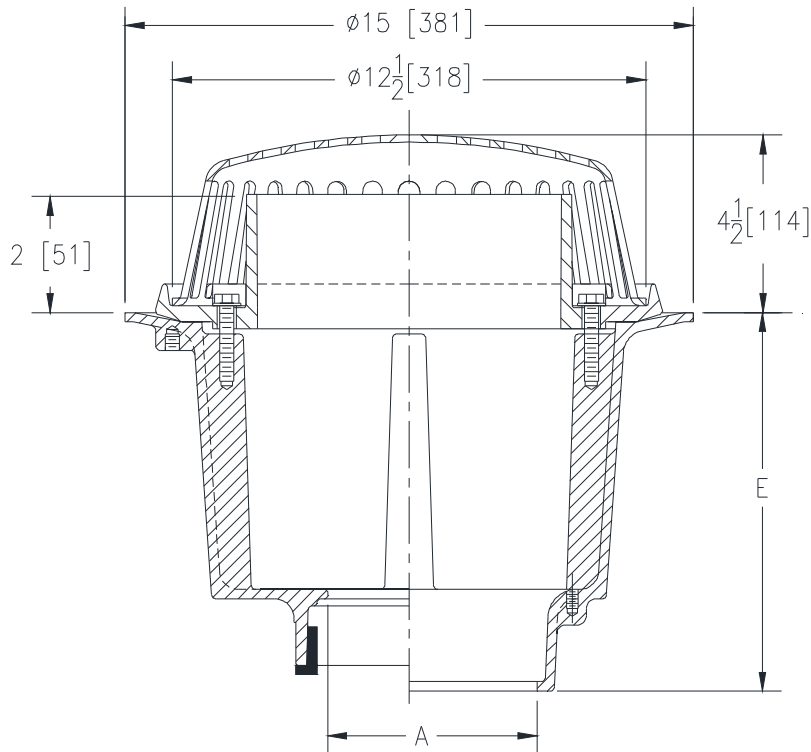


# Z104-W2

15 [381] DIAMETER DEEP SUMP ROOF  
DRAIN WITH 2 [51] INTERNAL WATER DAM

TAG \_\_\_\_\_

Dimensional Data (inches and [ mm ]) are Subject to Manufacturing Tolerances and Change Without Notice



A- Pipe Size In. [mm]	Approx. Wt. Lbs. [kg]	Dome Open Area Sq. In. [cm <sup>2</sup> ]
3, 4 [76,102]	46 [21]	103 [665]
6, 8 [152,203]		

**ENGINEERING SPECIFICATION: ZURN Z104-W2**

15" [381mm] Diameter roof drain. Dura-Coated cast iron deep sump body, with combination membrane flashing clamp/gravel guard, 2" [51mm] internal water dam, and low silhouette Poly-Dome.

**OPTIONS** (Check/specify appropriate options)

**PIPE SIZE**

(Specify size/type) **OUTLET**

**'E' BODY HT. DIM.**

3,4,6,8[76,102,152,203]  
3,4 [76, 102]

\_\_\_\_\_ NH No-Hub  
\_\_\_\_\_ NL Neo-Loc

10 [254]  
9-5/16 [237]

**PREFIXES**

\_\_\_\_\_ Z D.C.C.I. Body with Poly-Dome\*  
\_\_\_\_\_ ZA D.C.C.I. Body with 6 3/4 [171] High Aluminum Dome  
\_\_\_\_\_ ZC D.C.C.I. Body with Cast Iron Dome

**SUFFIXES**

_____ -AC Angular Underdeck Clamp	_____ -R Roof Sump Receiver
_____ -AR Acid Resistant Epoxy Coated	_____ -SC Secondary Clamping Collar
_____ -C Underdeck Clamp	_____ -SS Stainless Steel Mesh Screen Over Dome
_____ -DX Dex-o-tex Flange	_____ -VP Vandal Proof Secured Top
_____ -E Static Extension 1 [25] thru 4 [102] (Specify Ht)	_____ -XJ Vertical Expansion Joint
_____ -EA Adjustable Extension Assembly	_____ -84 Stainless Steel Perforated Gravel Guard
_____ -G Galvanized Cast Iron	
_____ -HD 6-3/4 [171] High Aluminum Dome (148 Sq. In. [955 cm <sup>2</sup> ] Open Area)	

\* Regularly furnished unless otherwise specified.