



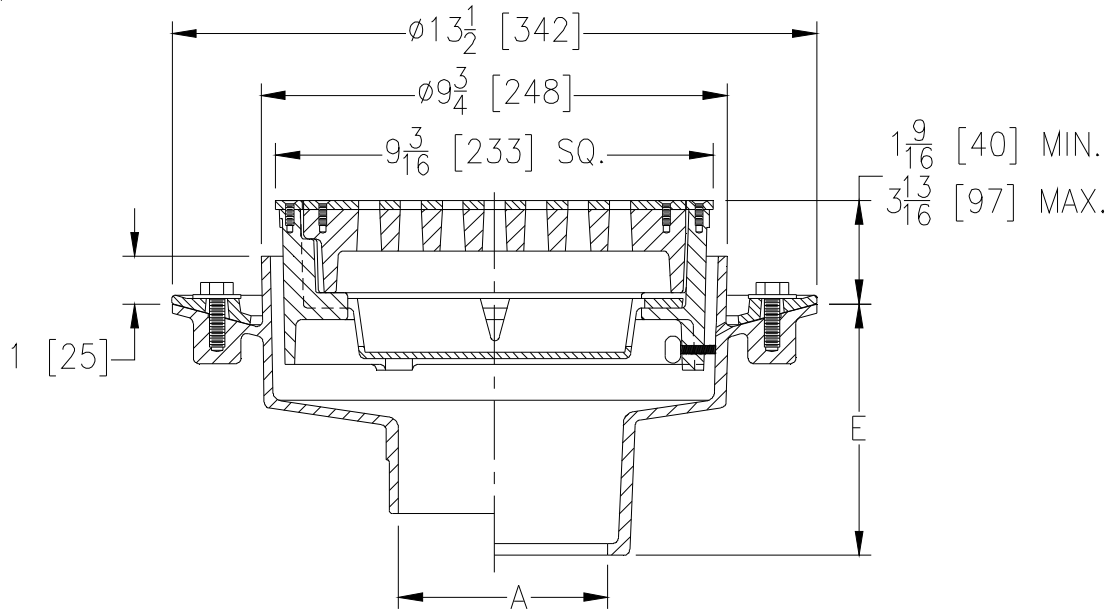
# Z520-87

## 9 [229] ADJUSTABLE SPECIAL-DUTY DRAIN W/STAINLESS STEEL VENEER, CLAMP COLLAR, & SEDIMENT BUCKET

SPECIFICATION SHEET

TAG \_\_\_\_\_

Dimensional Data (inches and [ mm ]) are Subject to Manufacturing Tolerances and Change Without Notice



A Pipe Size In.	Approx. Wt. Lbs. [kg]	Grate Open Area Sq. In. [cm <sup>2</sup> ]
2-3-4 [51-76-102]	39 [18]	18 [116]
6 [152]	44 [20]	

### ENGINEERING SPECIFICATION: ZURN Z520-87

9 [229] Diameter top drain, Dura-Coated cast iron body with bottom outlet, seepage pan with clamp collar, adjustable extension frame, special-duty ductile iron deep flange slotted grate with stainless steel veneer, and sediment bucket.

### OPTIONS (Check/specify appropriate options)

#### PIPE SIZE

- 2 thru 4 [51 thru 102]
- 2 thru 4 [51 thru 102]
- 2 thru 4 [51 thru 102]
- 2 thru 4-6 [51 thru 102-152]
- 2 thru 4 [51 thru 102]

#### (Specify size/type) OUTLET

- \_\_\_ IC Inside Caulk
- \_\_\_ IG Inside Caulk w/Sealtrol Gskt.
- \_\_\_ IP Threaded
- \_\_\_ NH No-Hub
- \_\_\_ NL Neo-Loc

#### 'E' DIM.

- 5 1/4 [133]
- 5 1/4 [133]
- 3 1/2 [89]
- 4 1/4 [108]
- 4 3/8 [111]

#### PREFIXES

- \_\_\_ ZS D.C.C.I. Body with Polished Stainless Steel Top\*

#### SUFFIXES

- \_\_\_ -AR Acid Resisting Epoxy Coated Cast Iron
- \_\_\_ -F Extension Frame (4 5/8 [117] Min. - 6 13/16 [173] Max.)
- \_\_\_ -G Galvanized Cast Iron
- \_\_\_ -HP Heel-Proof Grate
- \_\_\_ -P Trap Primer Connection
- \_\_\_ -S Secondary Strainer
- \_\_\_ -SC Solid Cover
- \_\_\_ -SG Solid Gasketed Cover
- \_\_\_ -SS Stainless Mesh Liner for Bucket
- \_\_\_ -TC Neo-Loc Test Cap Gasket (2 [51] - 4 [102] NL Bottom Outlet Only)
- \_\_\_ -TS Top Secured with Slotted Screws
- \_\_\_ -V Backwater Valve (See Z1099)
- \_\_\_ -VP Vandal-Proof Secured Top
- \_\_\_ -90 90° Side Outlet (See Z1042)

\*REGULARLY FURNISHED UNLESS OTHERWISE SPECIFIED

REV.	DATE: 2/3/10	C.N. NO. 110642
DWG. NO. P-15840	PRODUCT NO. Z520-87	

ZURN INDUSTRIES, LLC ♦ SPECIFICATION DRAINAGE OPERATION ♦ 1801 Pittsburgh Ave. ♦ Erie, PA 16514

Phone: 814/455-0921 ♦ Fax: 814/454-7929 ♦ World Wide Web: www.zurn.com

In Canada: ZURN INDUSTRIES LIMITED ♦ 3544 Nashua Drive ♦ Mississauga, Ontario L4V1L2 ♦ Phone: 905/405-8272 Fax: 905/405-1292