

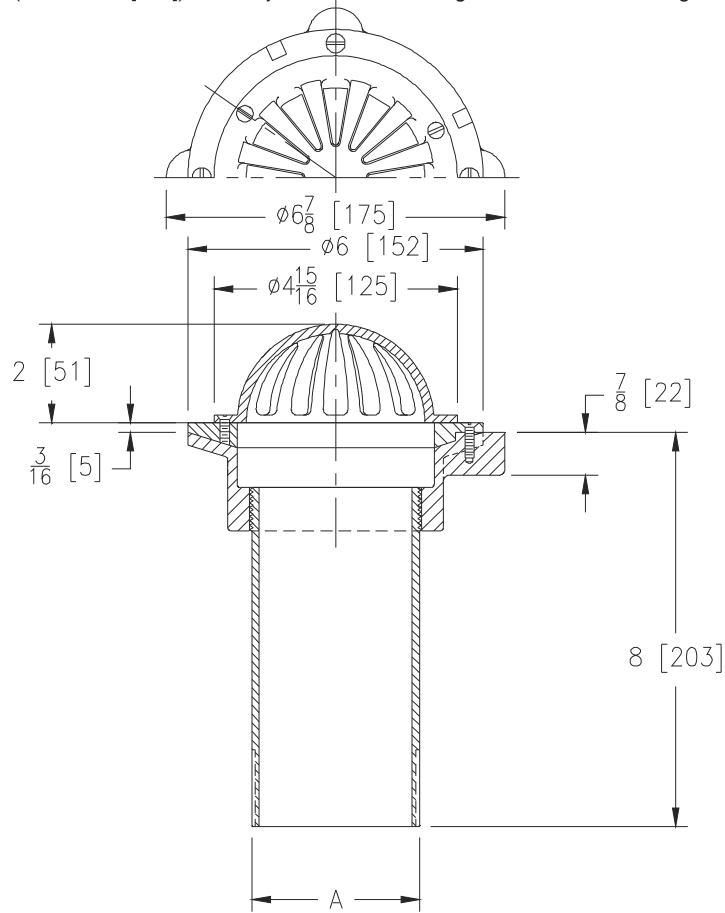


Z181-89
6 [152] DIAMETER CORNICE DRAIN
BOTTOM OUTLET W/ NO-HUB ADAPTOR

SPECIFICATION SHEET

TAG _____

Dimensional Data (inches and [mm]) are Subject to Manufacturing Tolerances and Changes Without Notice



A- Pipe Size In.	Approx. Wt. Lbs. [kg]	Dome Open Area Sq. In. [cm ²]
3 [76]	10 [5]	12 [72]
4 [102]	13 [6]	

ENGINEERING SPECIFICATION: ZURN ZRB181-89
 6 [152] Diameter by 2 [51] High Cornice drain, Dura-Coated cast iron body, plain bronze dome, membrane flashing clamp, and No-Hub adaptor.

OPTIONS (Check/specify appropriate options)

PIPE SIZE

(Specify size/type) **OUTLET**

3, 4 [76, 102]

___ NH No-Hub (IP w/ Z1040-7)

PREFIXES

- ___ ZRB D.C.C.I. Body with Plain Bronze Dome*
- ___ ZB D.C.C.I. Body with Polished Bronze Dome
- ___ ZN D.C.C.I. Body with Polished Nickel Bronze Dome

SUFFIXES

- ___ -BS Bronze Mesh Screen Over Dome
- ___ -C Underdeck Clamp
- ___ -FS Flat Strainer (ZB or ZN)
- ___ -G Galvanized Cast Iron
- ___ -HD 5-3/4 [146] High Dome
- ___ -R Roof Sump Receiver
- ___ -SS Stainless Steel Mesh Screen Over Dome
- ___ -VP Vandal-Proof Secured Top
- ___ -8 With 8 [203] High Body

*REGULARLY FURNISHED UNLESS OTHERWISE SPECIFIED

REV.	DATE: 02/05/13	C.N. NO. 128751
DWG. NO. 311615 PRODUCT NO. Z181-89		