



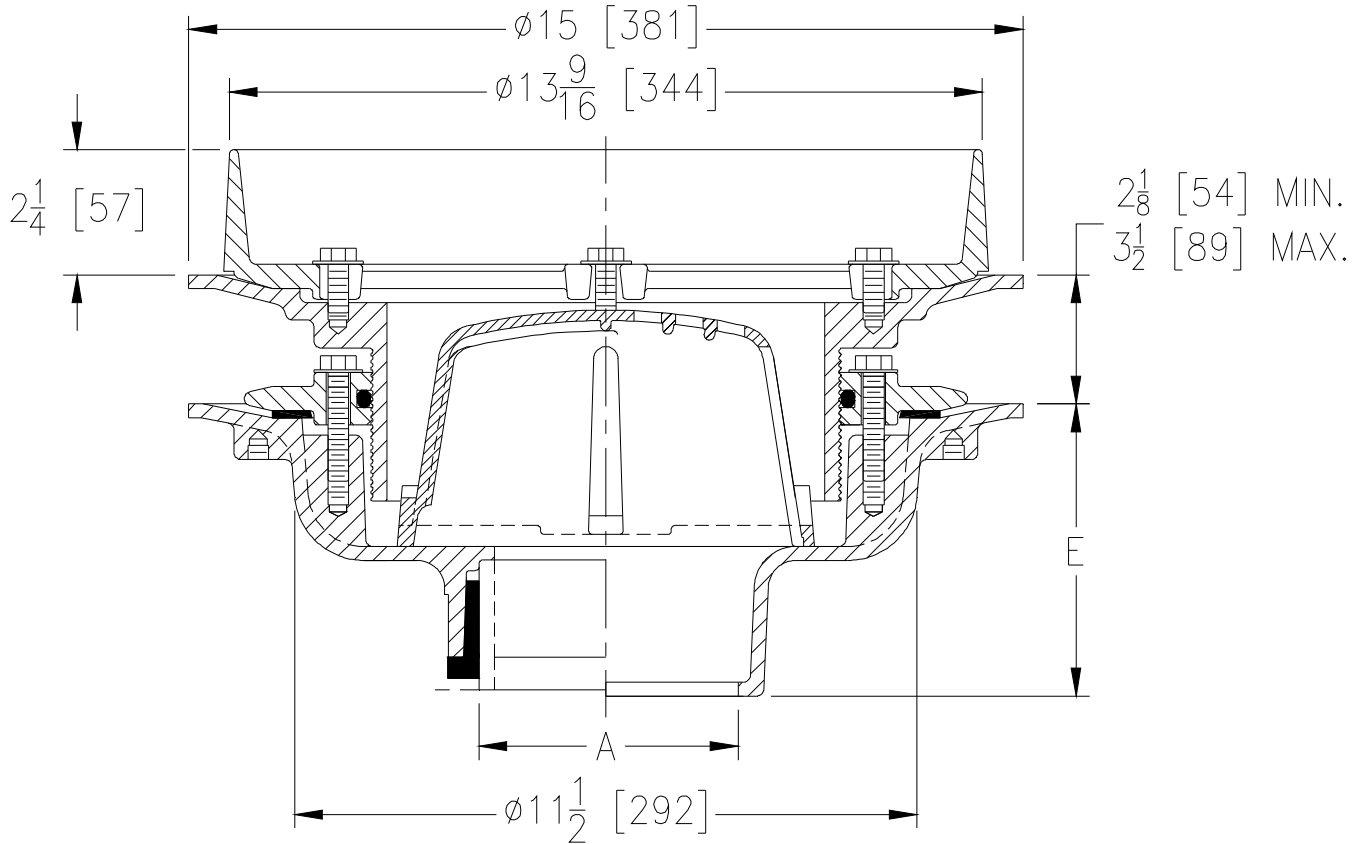
Z108-EA

15 [381] DIAMETER DECK RECEPTOR
W/ ADJUSTABLE EXTENSION

SPECIFICATION SHEET

TAG _____

Dimensional Data (inches and [mm]) are Subject to Manufacturing Tolerances and Change Without Notice



A Pipe Size in [mm]	Approx Wt. lbs [kg]	Dome Open Area in ² [cm ²]
2,3,4 [51,76,102]	60 [27]	53 [342]
6 [152]	58 [26]	
8 [203]	61 [28]	

ENGINEERING SPECIFICATION: ZURN Z108-EA

15" [381mm] Diameter roof drain, Dura-Coated cast iron body with combination membrane flashing clamp/deck receptor frame, adjustable extension, secondary clamp and internal bottom dome strainer.

OPTIONS (Check/specify appropriate options)

PIPE SIZE

- 3,4,6 [76,102,152]
- 2,3,4,6, 8 [51,76,102,152,203]
- 2,3,4,6, 8 [51,76,102,152,203]
- 2,3,4 [51,76,102]

(Specify size/type) **OUTLET**

- _____ IC Inside Caulk
- _____ IP Threaded
- _____ NH No-Hub
- _____ NL Neo-Loc

E BODY HT. DIM.

- 5-1/4 [133]
- 3-3/4 [95]
- 5-1/4 [133]
- 4-5/8 [117]

PREFIXES

- _____ Z D.C.C.I. Body with Collar*

SUFFIXES

- _____ -AR Acid Resistant Epoxy Coated
- _____ -C Underdeck Clamp
- _____ -DE Deck Extension (Includes Deck Plate -DP)
- _____ -DP Top-Set® Roof Deck Plate (Replaces both -C and -R)
- _____ -E Static Extension 1 [25] thru 4 [102] (Specify Ht.)
- _____ -FG Flush Grate (Replaces Dome Strainer)
- _____ -G Galvanized Cast Iron
- _____ -HD 6-3/4 [171] High Aluminum Dome (148 sq. in. [955 cm²] open area)
- _____ -R Roof Sump Receiver
- _____ -TC Neo-Loc Test Cap Gasket (2,3,4 [51,76,102] NL Outlet Only)

* Regularly furnished unless otherwise specified.