



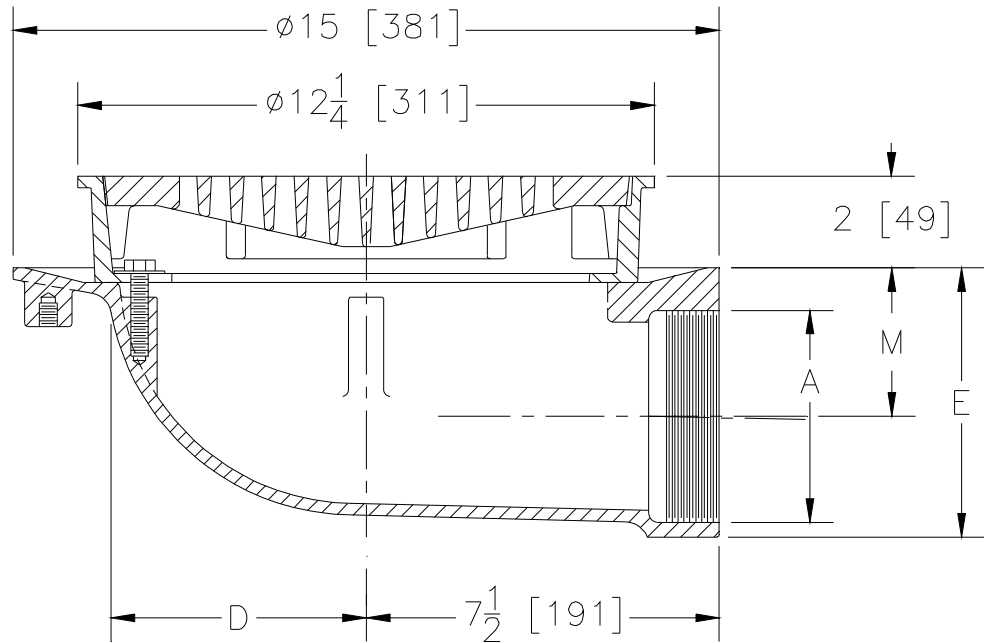
Z505-90

12-1/4 [311] DIAMETER HEAVY DUTY DRAIN W/
SIDE OUTLET

SPECIFICATION SHEET

TAG _____

Dimensional Data (inches and [mm]) are Subject to Manufacturing Tolerances and Change Without Notice



Dimensions in In [mm]			Approx. Wt. Lbs. [kg]	Grate Open Area Sq. In. [cm ²]
A- Pipe Size	D	M		
2 [51]	5-1/2 [140]	4-1/4 [108]	40 [18]	30 [194]
3 [76]		3-11/16 [94]	41 [19]	
4 [102]		3-3/16 [81]	42 [19]	
6 [152]	5-7/8 [150]	4-1/4 [108]	44 [19]	

ENGINEERING SPECIFICATION: ZURN Z505-90
12-1/4" [311mm] Diameter top drain. Dura-Coated cast iron body with side outlet, seepage pan and combination membrane flashing clamp and frame for heavy duty deep flange slotted grate.

OPTIONS (Check/specify appropriate options)

PIPE SIZE

2,3,4 [51,76,102]
6 [152]

(Specify size/type) **OUTLET**

___ IP Threaded
___ IP Threaded

'E' BODY HT. DIM.

5-3/4 [146]
7-7/8 [200]

PREFIXES

- ___ Z D.C.C.I. Body and Grate*
- ___ ZB D.C.C.I. Body with Polished Grate (Add 3/16 [5] to 2 [51] Dim. & add 3/4 [19] to 12-1/4 [311] Dim.)
- ___ ZN D.C.C.I. Body with Polished Nickel Bronze Grate (Add 3/16 [5] to 2 [51] Dim. & add 3/4 [19] to 12-1/4 [311] Dim.)

SUFFIXES

- ___ -AR Acid Resisting epoxy Coated Cast Iron
- ___ -D Dome Grate
- ___ -DG Duresist Grate
- ___ -F Extension Frame
(Specify Total Height Req'd)
- ___ -G Galvanized Cast Iron
- ___ -HP Heel-Proof Grate
- ___ -HT Square Hinged Grate
- ___ -SC Solid Cover
- ___ -SS Stainless Mesh Liner for Bucket
- ___ -T Square Top
- ___ -VP Vandal Proof Secured Top
- ___ -Y Sediment Bucket

* Regularly furnished unless otherwise specified.