



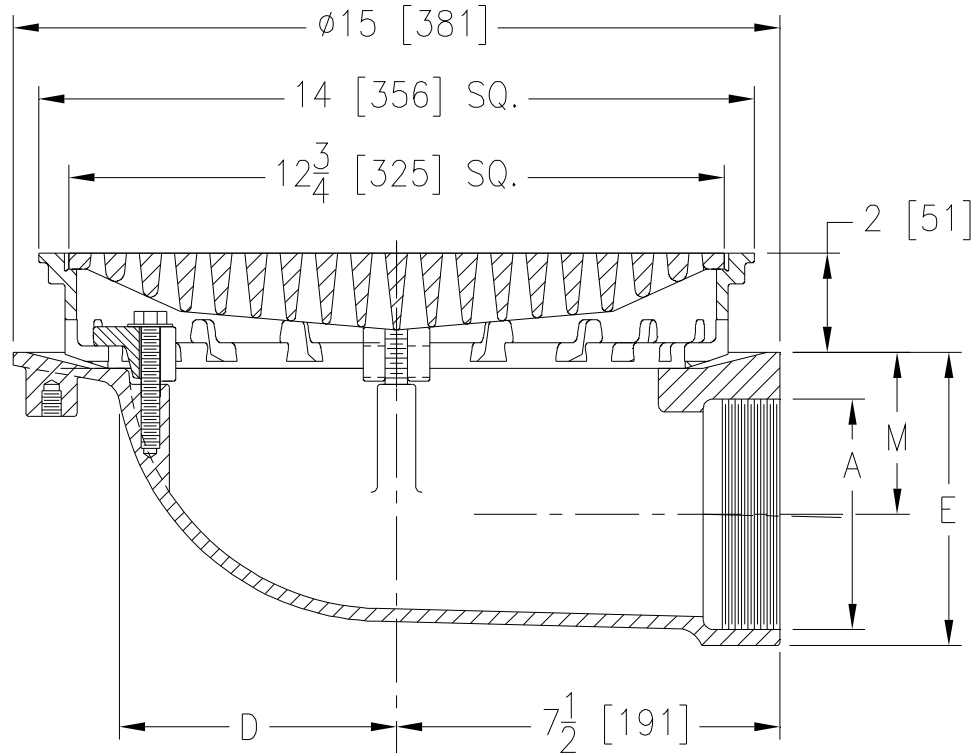
# Z150-90

## 14 [356] SQUARE TOP LATERAL PROM-DECK DRAIN W/ HEEL PROOF GRATE AND ROTATABLE FRAME

SPECIFICATION SHEET

TAG \_\_\_\_\_

Dimensional Data (inches and [ mm ]) are Subject to Manufacturing Tolerances and Change Without Notice



Dimensions in inches [mm]			Approx Wt. lbs [kg]	Grate Open Area in <sup>2</sup> [cm <sup>2</sup> ]
A Pipe Size	D	M		
2 [51]	5-1/2 [140]	4-1/4 [108]	56 [26]	44 [284]
3 [76]		3-3/4 [95]		
4 [102]		3-1/4 [83]		
6 [152]	5-7/8 [149]	4-1/4 [108]	59 [28]	

**ENGINEERING SPECIFICATION: ZURN Z150-90**  
14" [356mm] Square Top Lateral Prom-Deck drain, Dura-Coated cast iron body with side outlet, rotatable square promenade frame with seepage openings, frame clamps, and heavy-duty heel proof grate.

**OPTIONS** (Check/specify appropriate options)

**PIPE SIZE**

2,3,4 [51,76,102]  
6 [152]

(Specify size) **OUTLET**

\_\_\_ IP Threaded  
\_\_\_ IP Threaded

**E BODY HT. DIM.**

5-3/4 [146]  
7-7/8 [200]

**PREFIXES**

- \_\_\_ Z D.C.C.I. Body with Top\*
- \_\_\_ ZB D.C.C.I. Body with Polished Bronze Top (Add 3/16 [5] to 2 [51] Dim & 3/8 [10] to 14 [356] Dim.)
- \_\_\_ ZN D.C.C.I. Body with Polished Nickel Bronze Top (Add 3/16 [5] to 2 [51] Dim & 3/8 [10] to 14 [356] Dim.)

**SUFFIXES**

- \_\_\_ -AR Acid Resistant Epoxy Coated
- \_\_\_ -C Underdeck Clamp
- \_\_\_ -DG Duresist Grate
- \_\_\_ -DP Top-Set® Roof Deck Plate (Replaces both -C and -R)
- \_\_\_ -DT Decorative Polished Top (ZN and ZB Only)
- \_\_\_ -E Static Extension 1 [25] thru 4 [102] (Specify Ht.)
- \_\_\_ -EA Adjustable Extension Assembly 2-1/8 [54] thru 3-1/2 [89]
- \_\_\_ -G Galvanized Cast Iron
- \_\_\_ -R Roof Sump Receiver
- \_\_\_ -S Secondary Strainer
- \_\_\_ -SC Secondary Clamping Collar
- \_\_\_ -TS Top Secured with Slotted Screws
- \_\_\_ -VP Vandal Proof Secured Top
- \_\_\_ -Y Sediment Bucket
- \_\_\_ -85 Stainless Steel Perforated Extension

\* Regularly furnished unless otherwise specified.