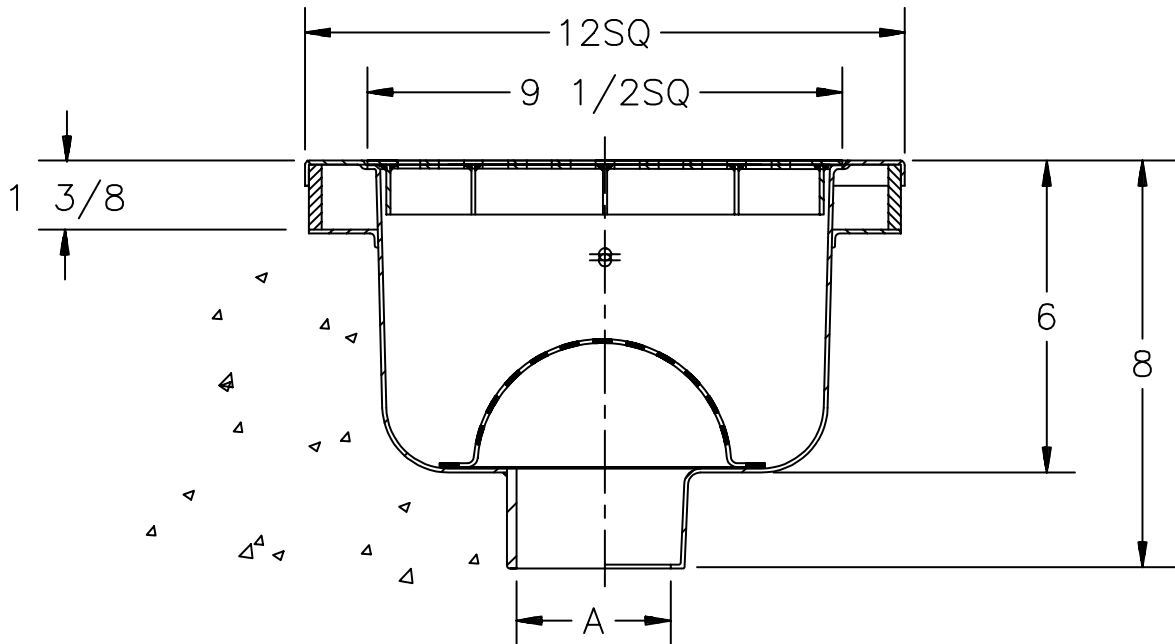




**Z-1750-83**  
 12" x 12" SANI-FLOR  
 RECEPTOR 6" Sump Depth

TAG \_\_\_\_\_

Dimensional Data (inches and [ mm ]) are Subject to Manufacturing Tolerances and Change Without Notice



A- Pipe Size In.	Approx. Wt. Lbs.	Grate Open Area Sq. In.
2-3-4	15	21

**ENGINEERING SPECIFICATION:** ZURN Z-1750-83  
 12"x12"x6" deep, 14 gage, All Type 304 (CF8) Stainless Steel light duty Sani-Flor receptor with anchor flange and frame support bars, non-tilt, loose set full grate with 1/2" square openings and anti-splash interior dome strainer.

**OPTIONS** (Check/specify appropriate options)

**OUTLET** (Specify type)

- \_\_\_ **IC** Inside Caulk
- \_\_\_ **NH** No-Hub

**PIPE SIZE** (Specify size)

- \_\_\_ 3", 4"
- \_\_\_ 2" thru 4"

**PREFIXES**

- \_\_\_ **Z-** Type 304 (CF8) Stainless Steel\*

**SUFFIXES**

- \_\_\_ **-HD** Cast Stainless Steel Heavy Duty Top Frame and Slotted Grate (add 1/2" to 'E' Dim.)
- \_\_\_ **-P** 1/2" Trap Primer Connection
- \_\_\_ **-Y** Sediment Bucket
- \_\_\_ **-YS** Suspended Sediment Bucket
- \_\_\_ **-1** Less Grate
- \_\_\_ **-2** 1/2 Grate
- \_\_\_ **-3** 3/4 Grate
- \_\_\_ **-4** Full Grate with 3" Square Center Opening
- \_\_\_ **-5** Grate w/4" Dia. x 3-3/4" High 304 S.S. Funnel
- \_\_\_ **-8** Grate w/8-7/8 x 3-5/8 x 3-3/4 High 304 S.S. Oval Funnel
- \_\_\_ **-15** Solid Cover
- \_\_\_ **-16** 1/2 Solid Cover
- \_\_\_ **-17** 3/4 Solid Cover
- \_\_\_ **-18** Solid Cover w/3" Square Center Opening

<b>REV.</b>	<b>DATE: 6/11/93</b>	<b>C.N. NO. 69070</b>
<b>DWG. NO. P-13825 PRODUCT NO. Z-1750-83</b>		

\*REGULARLY FURNISHED UNLESS OTHERWISE SPECIFIED