



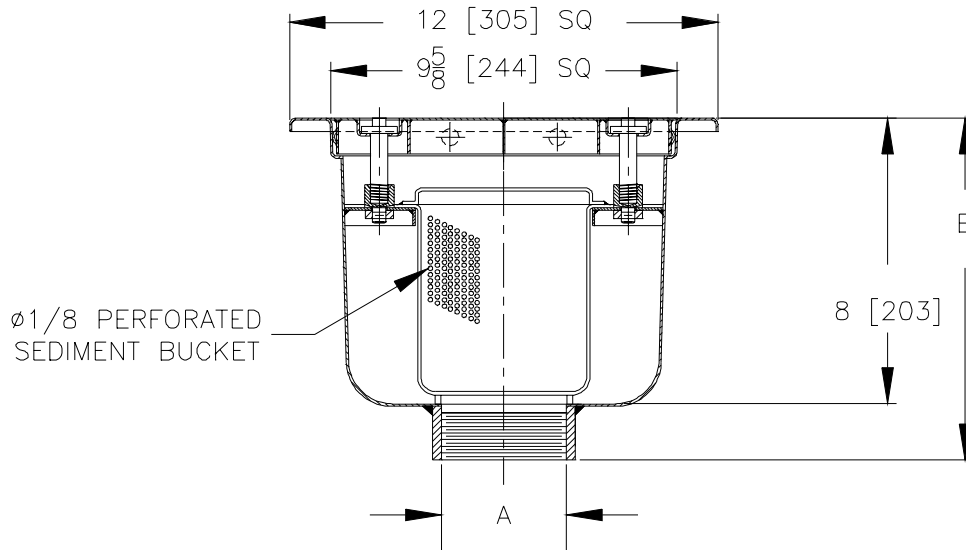
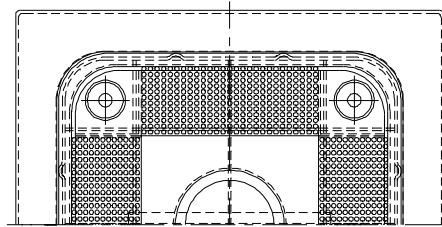
Z-1751-123

SPECIFICATION SHEET

12" X 12" [305 X 305] SANI-FLOR RECEPTOR 8" [203] SUMP DEPTH

TAG _____

Dimensional Data (inches and [mm]) are Subject to Manufacturing Tolerances and Change Without Notice



A- Pipe Size In.	Approx. Wt. Lbs. [kg]
2-3-4 [50-75-100]	19 [9]

ENGINEERING SPECIFICATION: ZURN Z-1751-123

12 x 12 x 8 [305 x 305 x 203] deep, 14 gage, All Type 304 (CF8) Stainless Steel light duty Sani-Flor receptor with non-tilt locking gasketed solid cover and removable perforated sediment bucket with lift handle.

OPTIONS (Check/specify appropriate options)

PIPE SIZE

- 2 thru 4 [50 thru 100]
- 2 [50]
- 3 [75]
- 4 [100]
- 2 thru 4 [50 thru 100]
- 2 thru 4 [50 thru 100]

(Specify size/type) **OUTLET**

- _____ IC Inside Caulk
- _____ IP Threaded
- _____ IP Threaded
- _____ IP Threaded
- _____ NH No-Hub
- _____ NL Neo-Loc

'E' BODY HT. DIM.

- 10 9/16 [268]
- 9 5/16 [237]
- 9 9/16 [243]
- 10 1/16 [256]
- 10 1/16 [256]
- 9 13/16 [249]

PREFIXES

- _____ Z- Type 304 (CF8) Stainless Steel Body*
- _____ ZM- Type 316 (CF8M) Stainless Steel

SUFFIXES

- _____ -P 1/2 Trap Primer Connection

REV.	DATE: 6/29/01	C.N. NO. 87716
DWG. NO. P-14834 PRODUCT NO. Z-1751-123		

*REGULARLY FURNISHED UNLESS OTHERWISE SPECIFIED