



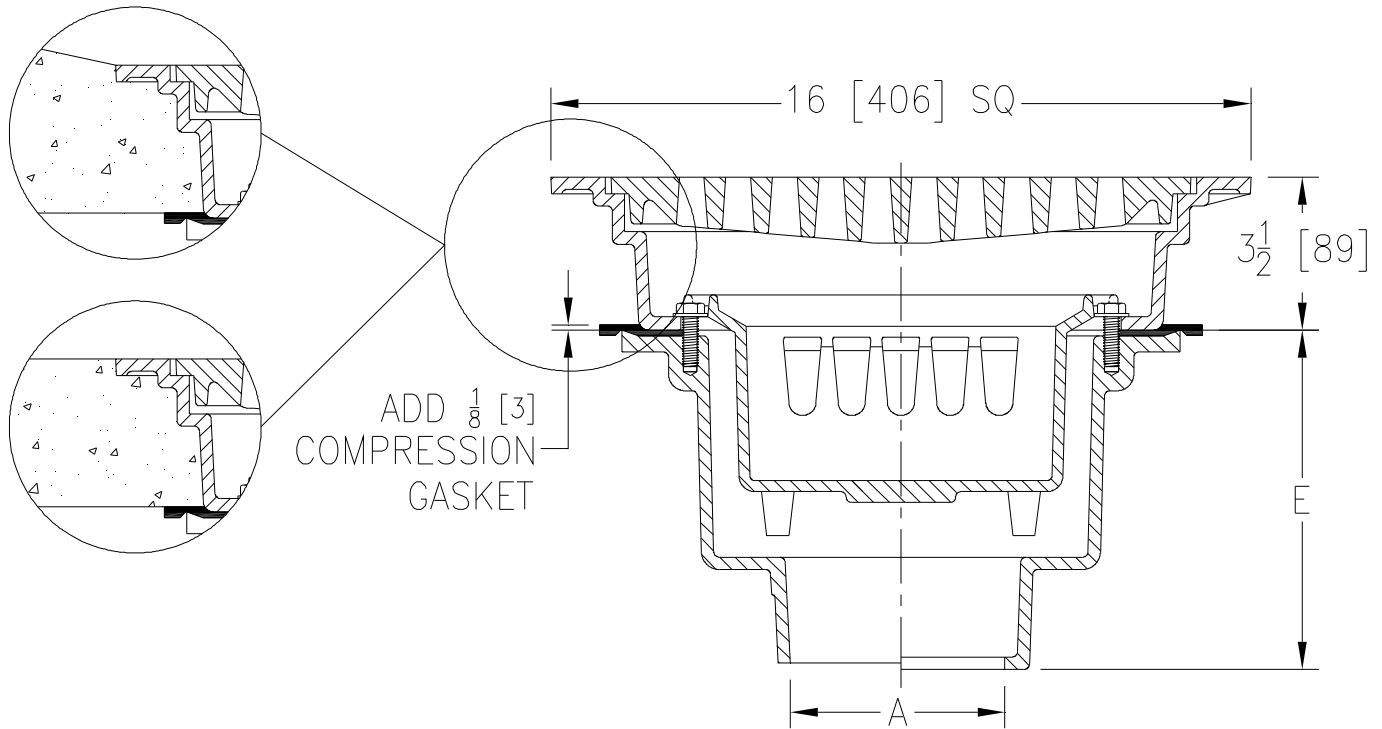
Z662-PK

16 [406] EXTRA HEAVY-DUTY DRAIN FOR
PRECAST CONCRETE PARKING DECK SYSTEM

SPECIFICATION SHEET

TAG _____

Dimensional Data (inches and [mm]) are Subject to Manufacturing Tolerances and Change Without Notice



A -Pipe Size in. [mm]	Approx. Wt. Lbs. [kg]	Grate Open Area Sq. In. [cm ²]
3, 4 [76, 102]	84 [38]	53 [342]
6 [152]	90 [41]	

ENGINEERING SPECIFICATION: Z662-PK

16" [406mm] Square top drain, Dura-Coated cast iron body with bottom outlet, gasket seal and hardware, seepage pan and combination membrane flashing clamp and frame for extra heavy-duty slotted loose grate with suspended sediment bucket.

OPTIONS (Check/specify appropriate options)

PIPE SIZE

- ___ 4, 6 [102, 152]
- ___ 4, 6 [102, 152]
- ___ 4, 6 [102, 152]
- ___ 3, 4, 6 [76, 102, 152]
- ___ 3, 4 [76, 102]

(Specify size/type) OUTLET

- ___ IC Inside Caulk
- ___ IG Inside Caulk w/Sealtrol Gskt.
- ___ IP Threaded
- ___ NH No-Hub
- ___ NL Neo-Loc

'E' BODY HT. DIM.

- ___ 7-3/4 [197]
- ___ 7-3/4 [197]
- ___ 6-5/16 [160]
- ___ 7-13/16 [198]
- ___ 7-3/16 [183]

PREFIXES

- ___ Z D.C.C.I. Body and Grate*
- ___ ZB D.C.C.I. Body w/ Polished Bronze Top (Add 3/16 [5] to 3 1/2 [89] and 11/16 [17] to 16 [406] Dim.)
- ___ ZN D.C.C.I. Body w/ Polished Nickel Bronze Top (Add 3/16 [5] to 3 1/2 [89] and 11/16 [17] to 16 [406] Dim.)

SUFFIXES

- ___ -DG Duresist Grate
- ___ -G Galvanized Cast Iron
- ___ -HP Heel-Proof Grate
- ___ -LY Less Sediment Bucket
- ___ -SS Stainless Mesh Liner for Bucket
- ___ -TC Neo-Loc Test Cap Gasket
(3 [76], 4 [102] NL Bottom Outlet Only)
- ___ -TS Top Secured With Slotted Screws
- ___ -VP Vandal-Proof Secured Top
- ___ -YA Aluminum Sediment Bucket

* Regularly furnished unless otherwise specified.