

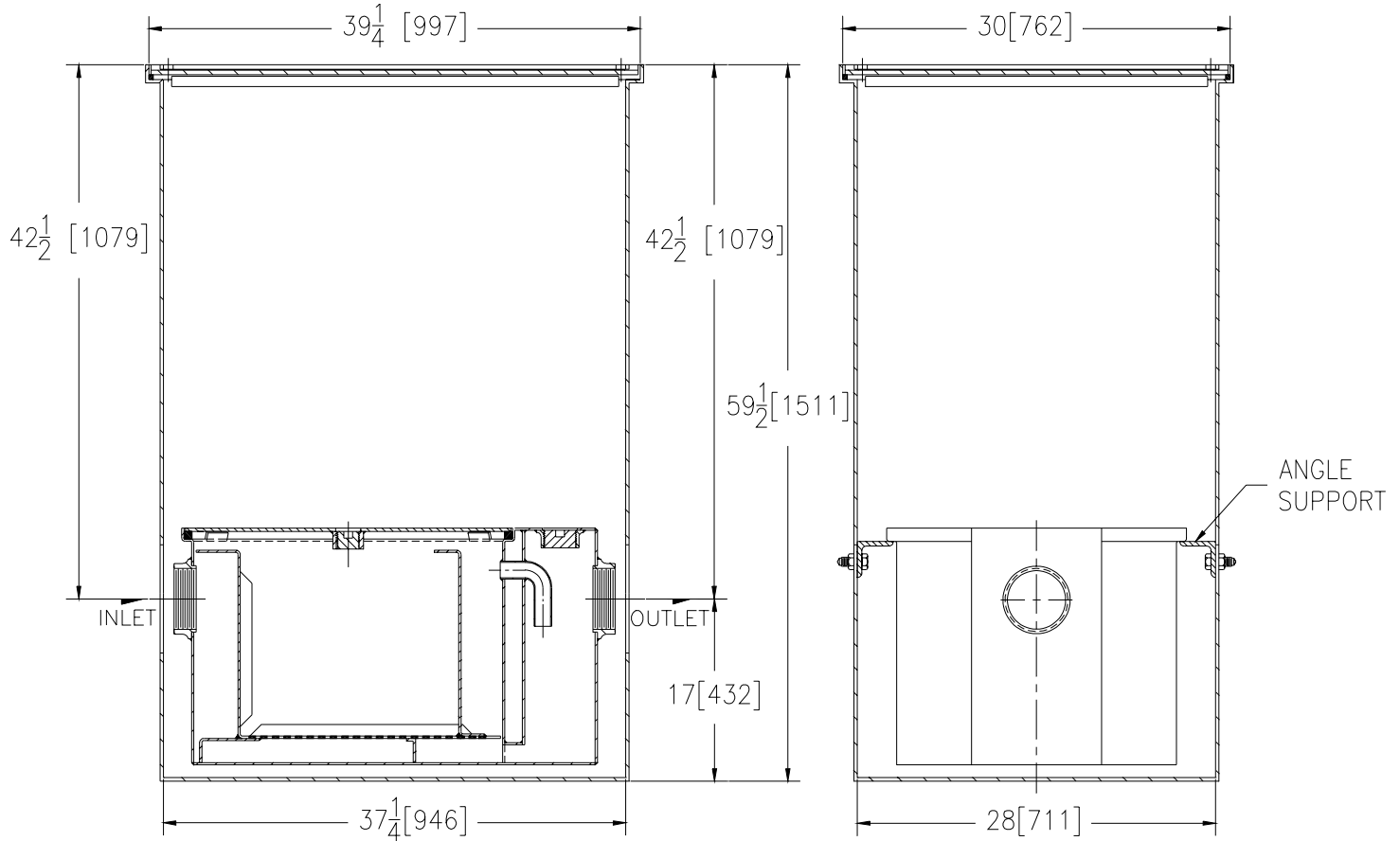


Z-1170-90
ADJUSTABLE RECESSING
RECEIVER-ENCLOSED TYPE-FOR GREASEPTOR

SPECIFICATION SHEET

TAG _____

Dimensional Data (inches and [mm]) are Subject to Manufacturing Tolerances and Change Without Notice



Size
800

ENGINEERING SPECIFICATION: ZURN Z-1170-90 Acid Resistant Coated fabricated steel recessing receiver, enclosed type, for recessed installation. Furnished with adjustable support brackets and gasketed non-skid cover recessed for 1/2 [13] thick tile with covered recessed lift handle. Complete with Z-1170 Greaseptor. For greaseptor specifications see Z-1170 drawing.

PREFIXES

___ Z- Acid Resistant Coated Fabricated Steel*

SUFFIXES

- ___ -K Anchor flange 1 3/4 [44] down from top and 2 [51] wide.
- ___ -KC Anchor flange 1 3/4 [44] down from top and 2 [51] wide with clamp collar.

REV.	DATE: 3/10/98	C.N. NO. 80007
DWG. NO. P-14602 PRODUCT NO. Z-1170-90		

*REGULARLY FURNISHED UNLESS OTHERWISE SPECIFIED