



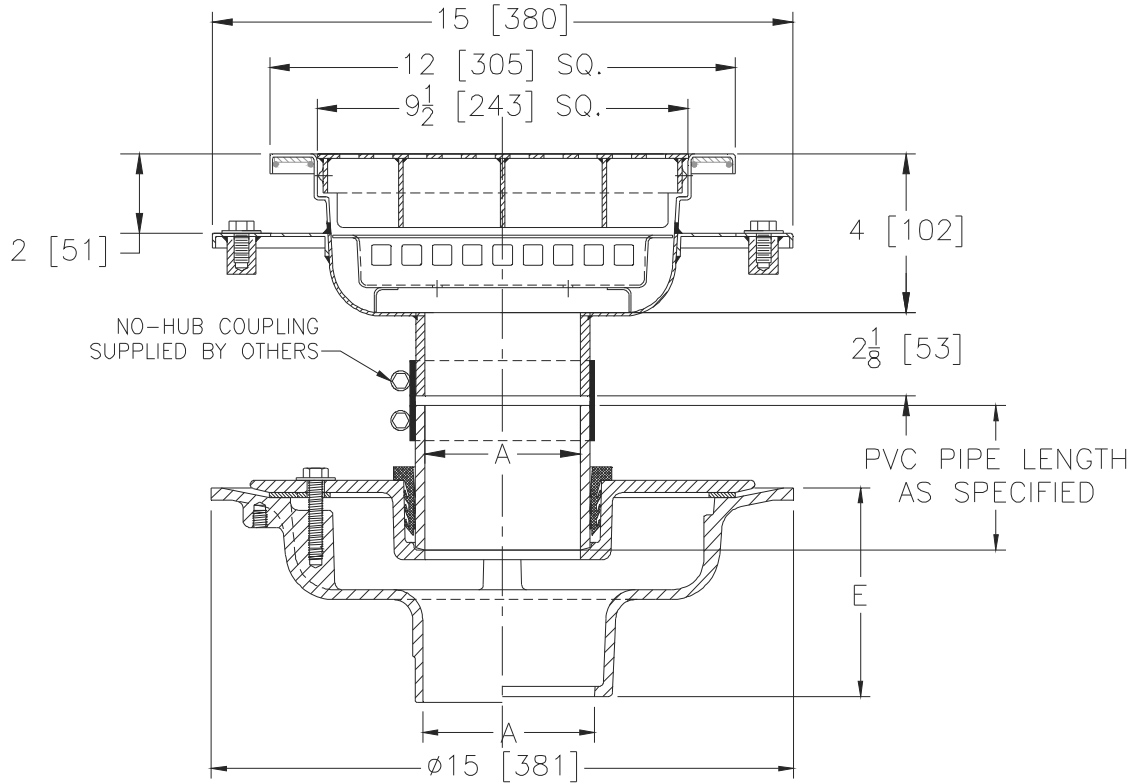
Z625-100

ISOLATION DECK WITH STAINLESS STEEL FLOOR SINK WITH HEAVY DUTY COVER, CLAMPING COLLAR, AND SEDIMENT BUCKET

SPECIFICATION SHEET

TAG _____

Dimensional Data (inches and [mm]) are Subject to Manufacturing Tolerances and Change Without Notice



A Pipe Size	Approx. Wt. Lbs. [kg]	Grate Open Area Sq. In. [cm ²]
2, 3, 4 [51, 76, 102]	42 [19]	9 [58]
5, 6 [127, 152]		

ENGINEERING SPECIFICATION: ZURN Z625-100

Adjustable isolation deck drain, Dura-Coated cast iron lower body, upper and lower clamp collars, neoprene flex gasket, PVC isolation nipple with stainless steel 12x12 [305x305] floor sink with heavy duty grate and sediment bucket.

OPTIONS (Check/specify appropriate options)

PIPE SIZE

- 2 thru 6 [51 thru 152]
- 2 thru 4, 6 [51 thru 102, 152]
- 2 thru 6 [51 thru 152]
- 2 thru 6 [51 thru 152]
- 2 thru 4 [51 thru 102]

(Specify size/type) OUTLET

- ___ IC Inside Caulk
- ___ IG Inside Gasket
- ___ IP Threaded
- ___ NH No-Hub
- ___ NL Neo-Loc

'E' BODY HT. DIM.

- 5-1/4 [133]
- 5-1/4 [133]
- 3-3/4 [95]
- 5-1/4 [133]
- 4-5/8 [117]

PREFIXES

- ___ ZS D.C.C.I Lower Body/Stainless Upper Body

SUFFIXES

- ___ -C Underdeck Clamp (Lower Body)
- ___ -G Galvanized Cast Iron
- ___ -R Sump Receiver (Lower Body)

REV.	DATE: 03/13/13	C.N. NO. 128928
		PROD./DWG. NO. Z625-100

*REGULARLY FURNISHED UNLESS OTHERWISE SPECIFIED