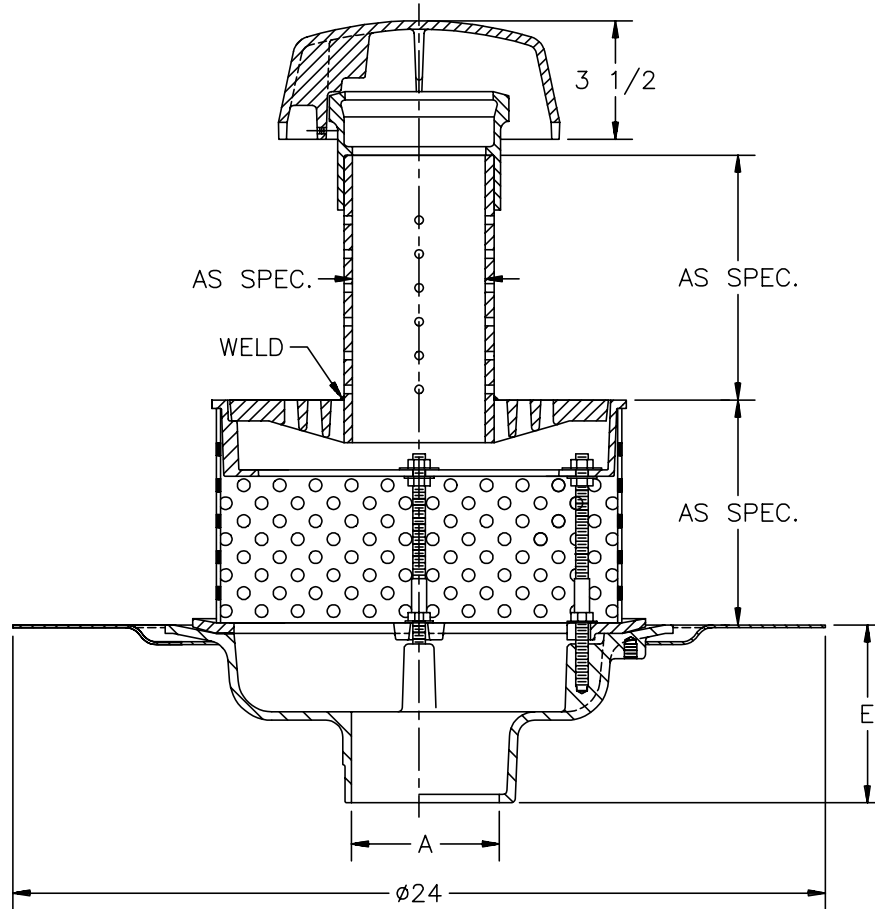




**Z-150-100**  
**14" PROM-DECK DRAIN**  
**WITH VANDAL PROOF HOODED VENT CAP**

**TAG** \_\_\_\_\_

Dimensions Subject to Manufacturing Tolerances



A- Pipe Size In.	Approx. Wt. Lbs.	Open Area Sq. In.
2-3-4	87	2:1
5-6		
8	84	
10		

**ENGINEERING SPECIFICATION:** ZURN Z-150-100 Top Prom-Deck drain, Dura-Coated cast iron lower body, with bottom outlet, roof sump receiver, flat clamping collar, stainless steel perforated extension, combination membrane flashing clamp/gravel guard, perforated extension with dura-coated cast iron body and hooded dome cap, with vandal proof securing device.

**OPTIONS** (Check/specify appropriate options)

**OUTLET** (Specify type)

- \_\_\_\_\_ **IC** Inside Caulk
- \_\_\_\_\_ **IG** Inside Caulk w/Sealtrol Gskt.
- \_\_\_\_\_ **IP** Threaded
- \_\_\_\_\_ **NH** No-Hub
- \_\_\_\_\_ **NL** Neo-Loc

**PIPE SIZE** (Specify size)

- \_\_\_\_\_ 2" thru 6", 8", 10"
- \_\_\_\_\_ 2" thru 4", 6"
- \_\_\_\_\_ 2" thru 6", 8", 10"
- \_\_\_\_\_ 2" thru 6", 8", 10"
- \_\_\_\_\_ 2" thru 4"

**'E' BODY HT. DIMENSION**

- \_\_\_\_\_ 5-1/4"
- \_\_\_\_\_ 5-1/4"
- \_\_\_\_\_ 3-3/4"
- \_\_\_\_\_ 5-1/4"
- \_\_\_\_\_ 4-5/8"

**PREFIXES**

- \_\_\_\_\_ **Z-** D.C.C.I. Body with Vent Cap\*

**SUFFIXES**

- \_\_\_\_\_ **AC** Angular Underdeck Clamp
- \_\_\_\_\_ **-C** Underdeck Clamp
- \_\_\_\_\_ **-G** Galvanized Cast Iron
- \_\_\_\_\_ **-XJ** Vertical Expansion Joint (See Z-190)

<b>REV.</b>	<b>DATE: 4/28/94</b>	<b>C.N. NO. 69713</b>
<b>DWG. NO. P-13979 PRODUCT NO. Z-150-100</b>		

\*REGULARLY FURNISHED UNLESS OTHERWISE SPECIFIED