



Z1810-12S-75

12 x 12 [305 x 305] SQUARE INDUSTRIAL FLOOR DRAIN WITH ADJUSTABILITY AND 4 [102] DEEP SEDIMENT BUCKET

SPECIFICATION SHEET

TAG _____

Dimensional Data (inches and [mm]) are Subject to Manufacturing Tolerances and Change Without Notice

Engineering Specification: ZURN Z1810-12S-75
12" x 12" [305mm x 305mm] Square, 18 gage, all type 304 (CF8) stainless steel industrial floor drain with loose set anti-tilt extra-heavy-duty perimeter drainage cover, adjustable reinforced top frame with o-ring seal and securing clamp, 4"[102mm] deep perforated removable sediment bucket with lift handle, pre-sloped bottom sump, and pre-pour stabilizing anchor tabs.

Approx. Wt. Lbs. [kg]	Grate Open Area Sq. In. [cm ²]
21 [10]	9.7 [63]

Options (Check/specify appropriate options)

Pipe Size (ØA) (Specify size/type) **Outlet**
 3,4,6 [76,102,152] ___ BW Butt-Weld (Sch. 10)
 3,4,6 [76,102,152] ___ NH No-Hub

Prefixes

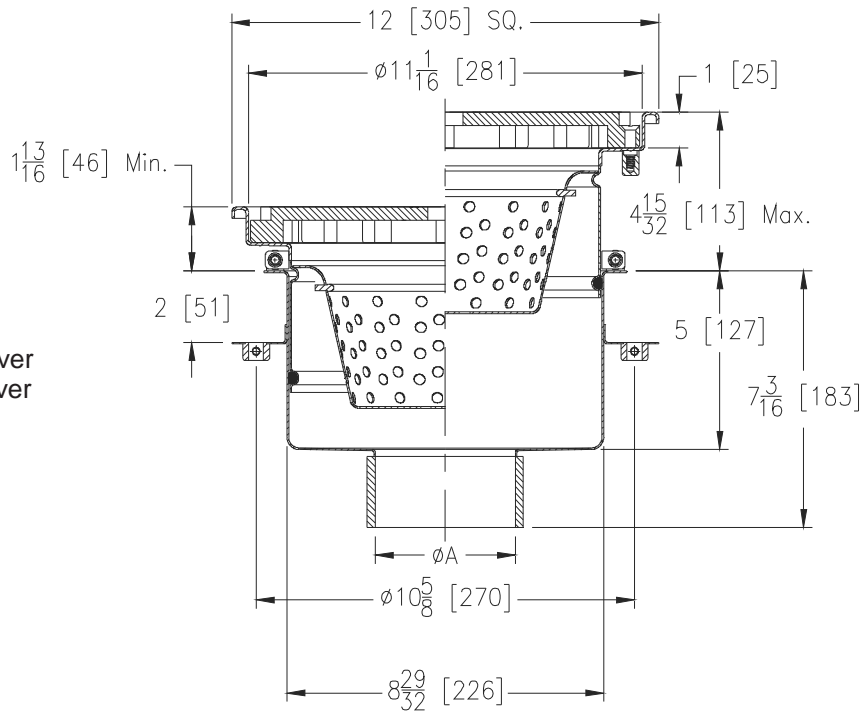
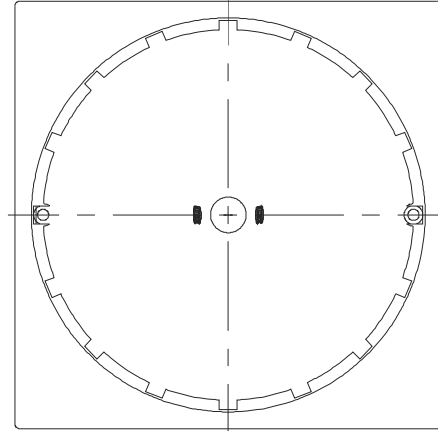
- ___ Z Type 304 (CF8) Stainless Steel*
- ___ ZM Type 316 (CF8M) Stainless Steel

Suffixes

- ___ -KC Anchor Flange w/Seepage Holes and Clamp Collar
- ___ -P ø1/2 [13] Trap Primer Connection
- ___ -SA Stabilizer Assembly (Z1036)
3 [76] and 4 [102] outlets only
- ___ -TS Top Secured Grate
- ___ -VH Vacuum Handle (-GCX Cover Only)
- ___ -3PT 3 [76] Stainless Steel P-Trap
- ___ -4PT 4 [102] Stainless Steel P-Trap
- ___ -6PT 6 [152] Stainless Steel P-Trap

Grate Options

- ___ -GCX Extra-Heavy-Duty Gas Tight Solid Cover
- ___ -PCS Special-Duty Perimeter Drainage Cover
(9.7 Sq. In. [63 cm²] Open Area)
- ___ -PGM Medium-Duty Perforated Grate
(27.3 Sq. In. [176 cm²] Open Area)
- ___ -SGH Heavy-Duty Slotted Grate
(28.9 Sq. In. [186 cm²] Open Area)
- ___ -SGM Medium-Duty Slotted Grate
(28.9 Sq. In. [186 cm²] Open Area)



* Regularly furnished unless otherwise specified.