



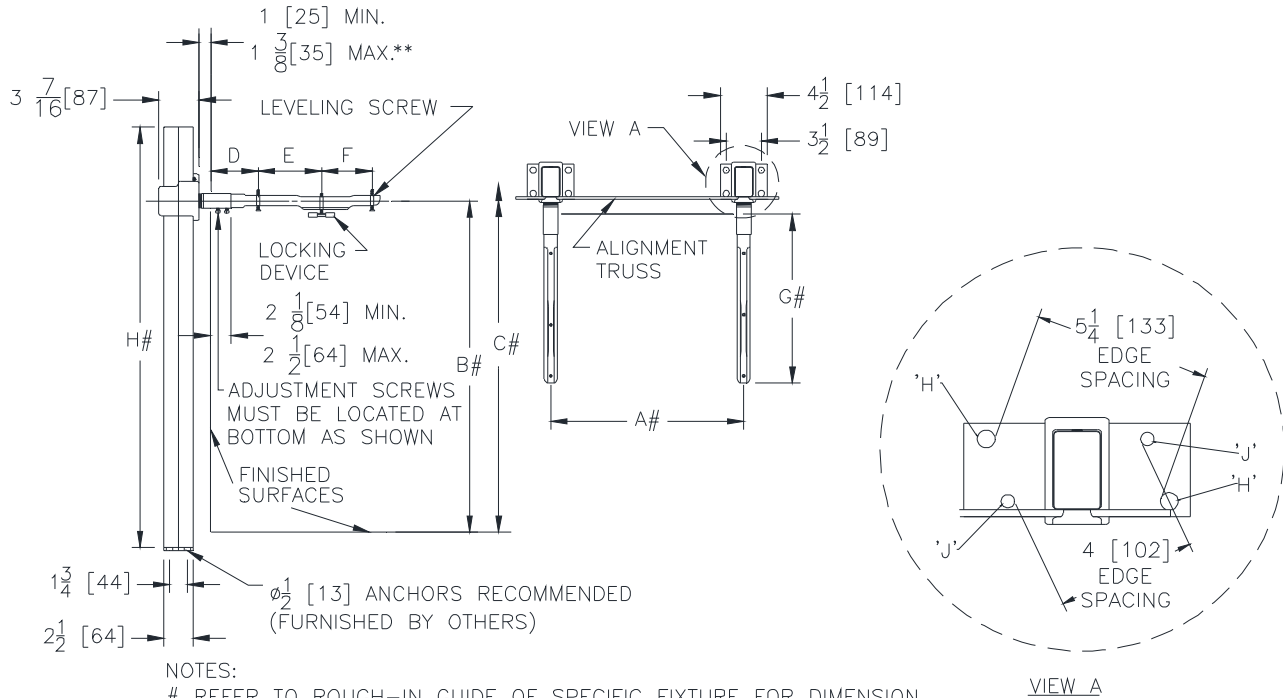
Z1231-102

CONCEALED ARM SYSTEM WALL LAVATORIES WITH OSHPOD UPRIGHTS

SPECIFICATION SHEET

TAG _____

Dimensional Data (inches and [mm]) are Subject to Manufacturing Tolerances and Change Without Notice



NOTES:
 # REFER TO ROUGH-IN GUIDE OF SPECIFIC FIXTURE FOR DIMENSION
 ** WITH STANDARD SLEEVE LENGTH OF 4 [102]

Product No.	Approx. Wt. Lbs. [kg]
Z1231-102	45 [20]

ENGINEERING SPECIFICATION: ZURN Z1231-102

Lavatory support system with concealed arms. Complete with Dura-Coated rectangular steel uprights with welded feet, cast iron adjustable headers, concealed arms, steel sleeves, alignment truss, and mounting fasteners. Uprights are designed to accommodate either 3/8" [10mm] diameter or 1/2" [13mm] diameter anchors and meet the spacing required as outlined by OSHPOD.

OPTIONS (Check/specify appropriate options)

PREFIXES

___ Z Dura-Coated System with Concealed Arms*

SUFFIXES

- ___ -AL Adapter Lug
- ___ -CB Carrier Bank
- ___ -D Back to Back System
- ___ -E2 Concealed Arm Escutcheons 2 [51] Long
- ___ -SL Sleeve Length Over 4 [102] (Specify Length)
- ___ -WS Wall Support Valve Plate (Specify Knee or Foot action, Valve Name, and Number)
- ___ -79 ADA Rough-in

* Regularly furnished unless otherwise specified.