



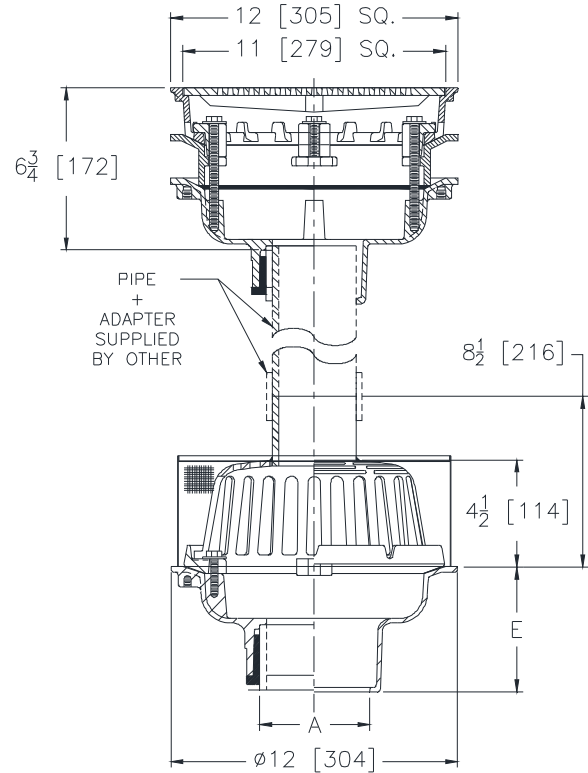
Z154-98

12 [305] SQUARE TOP PROM-DECK DRAIN W/HEEL-PROOF GRATE, ROTABLE FRAME, & Z121 LOWER BODY

SPECIFICATION SHEET

TAG _____

Dimensional Data (inches and [mm]) are Subject to Manufacturing Tolerances and Change Without Notice



A- Pipe Size In.	Approx. Wt. Lbs. [kg]	Grate Open Area Sq. In. [cm ²]
2 thru 6 [51 thru 152]	51 [23]	34 [219]

ENGINEERING SPECIFICATION: ZURN Z154-98
 12 [305] Square Top Prom-Deck drain with Dura-Coated cast iron body, rotatable light duty square promenade frame with seepage openings, frame clamps, light duty heel-proof grate, 2 [51] static extension, and Z121 lower body with stainless steel mesh screen over-dome.

PIPE SIZE (Lower Body)

- 2 thru 6 [51 thru 152]
- 2 thru 6 [51 thru 152]
- 2 thru 6 [51 thru 152]
- 2-3-4[51-76-102]

(Specify size/type) **OUTLET**

- _____ IC Inside Caulk
- _____ IP Threaded
- _____ NH No-Hub
- _____ NL Neo-Loc

E BODY HT. DIM.

- 5-1/4 [133]
- 3-3/4 [95]
- 5-1/4 [133]
- 4-5/8 [117]

OPTIONS (Check/specify appropriate options)

PREFIXES (Upper Body)

- _____ Z D.C.C.I. Body w/ Top*
- _____ ZB D.C.C.I. Body w/ Polished Bronze Top (Add 3/16 [5] to 6-3/4[172] Dim & 5/8[16] to 12[305] Dim.)
- _____ ZN D.C.C.I. Body w/ Polished Nickel Bronze Top (Add 3/16[5] to 6-3/4[172] Dim & 5/8[16] to 12 [305] Dim.)

SUFFIXES (Upper Body)

- _____ -AR Acid Resistant Epoxy Coated
- _____ -DG Duresist Grate (Z Only)
- _____ -DT Decorative Polished Top (ZB and ZN Only)
- _____ -E 2 [51] High Static Extension
- _____ -G Galvanized Cast Iron
- _____ -S Secondary Strainer
- _____ -SC Secondary Clamp Collar
- _____ -TC Neo-Loc Test Cap Gasket (2 [51] - 4 [102] NL Bottom Outlet Only)
- _____ -TS Top Secured with Slotted Screws
- _____ -Y Sediment Bucket

SUFFIXES (Lower Body)

- _____ -AR Acid Resistant Epoxy Coated Finish
- _____ -C Underdeck Clamp
- _____ -DB Deep Sump Body (IC Only)
- _____ -DP Top-Set® Roof Deck Plate (Replaces both the -C and -R)
- _____ -DR Top-Set® Drain Riser (Adjustment from 3-5/8 [92] to 7-1/4 [184])
- _____ -EB Top-Set® Adjustable Extension Assembly
- _____ -G Galvanized Cast Iron
- _____ -R Roof Sump Receiver
- _____ -XJ Vertical Expansion Joint (See Z190)
- _____ -90 90° Threaded Side Outlet Body (2-4 [51-102]) (Previously Z124)

* Regularly furnished unless otherwise specified.