



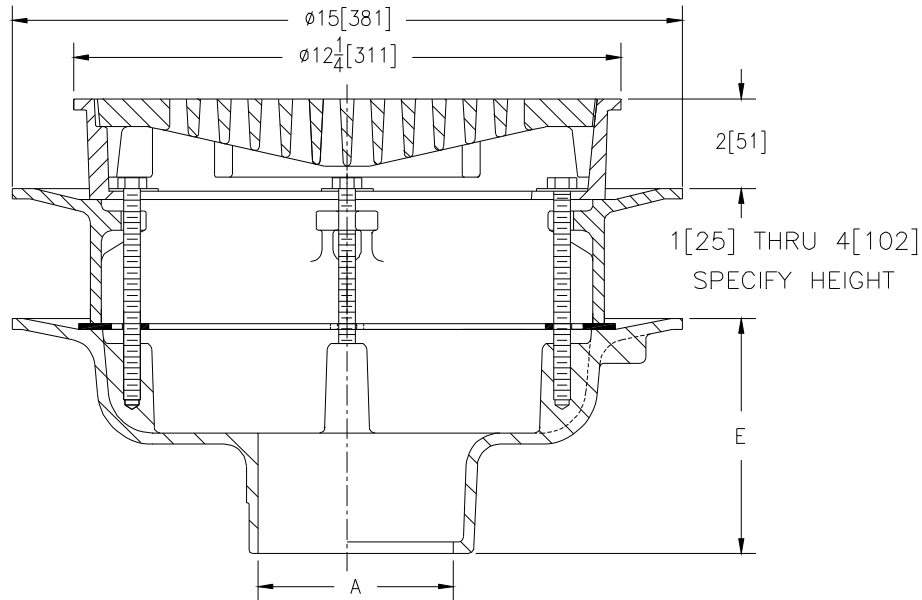
Z505-F

12-1/4 [311] HEAVY DUTY DRAIN W/ EXTENSION FRAME

SPECIFICATION SHEET

TAG _____

Dimensional Data (inches and [mm]) are Subject to Manufacturing Tolerances and Change Without Notice



A Pipe Size In [mm]	Approx. Wt. Lbs. [kg]	Grate Open Area Sq. In. [cm ²]
2,3,4,5,6 [51,76,102,127,152]	38 [17]	30 [194]
8 [203]	40 [18]	

ENGINEERING SPECIFICATION: ZURN Z505-F

12-1/4" [311 mm] Diameter top drain. Dura-Coated cast iron body with bottom outlet, extension, seepage pan and combination membrane flashing clamp and frame for heavy duty deep flange slotted grate.

OPTIONS (Check/specify appropriate options)

PIPE SIZE

(Specify size/type) **OUTLET**

'E' BODY HT. DIM.

3,4,5,6 [76,102,127,152]	_____ IC	Inside Caulk	5-1/4 [133]
3,4,6 [76,102,152]	_____ IG	Inside Caulk w/Sealtrol Gskt.	5-1/4 [133]
2,3,4,6,8 [51,76,102,152,203]	_____ IP	Threaded	3-1/4 [95]
2,3,4,5,6,8 [51,76,102,127,152,203]	_____ NH	No-Hub	5-1/4 [133]
2,3,4 [51,76,102]	_____ NL	Neo-Loc	4-5/8 [117]

PREFIXES

- _____ Z D.C.C.I. Body and Grate*
- _____ ZB D.C.C.I. Body with Polished Grate (Add 3/16 [5] to 2 [51] Dim.& add 3/4 [19] to 12-1/4 [311] Dim.)
- _____ ZN D.C.C.I. Body with Polished Nickel Bronze Grate (Add 3/16 [5] to 2 [51] Dim.& add 3/4 [19] to 12-1/4 [311] Dim.)

SUFFIXES

- | | | | |
|-----------|---------------------------------------|-----------|--|
| _____ -AR | Acid Resistant Epoxy Coated Cast Iron | _____ -SS | Stainless Mesh Liner for Bucket |
| _____ -D | Dome Grate | _____ -T | Square Top |
| _____ -DG | Duresist Grate | _____ -TC | Neo-Loc Test Cap Gasket
(2,3,4 [51,76,102] NL Bottom Outlet Only) |
| _____ -G | Galvanized Cast Iron | _____ -TS | Top Secured with Slotted Screws |
| _____ -HP | Heel-Proof Grate | _____ -V | Backwater Valve (See Z-1099) |
| _____ -HT | Square Hinged Grate | _____ -VP | Vandal Proof Secured Top |
| _____ -P | Trap Primer Connection | _____ -Y | Sediment Bucket |
| _____ -S | Secondary Strainer | _____ -90 | 90° Threaded Side Outlet Body
(2,3,4,5,6 [51,76,102,127,152,]) |
| _____ -SA | Stabilizer Assembly (See Z1036) | | |
| _____ -SC | Solid Cover | | |

* Regularly furnished unless otherwise specified.