



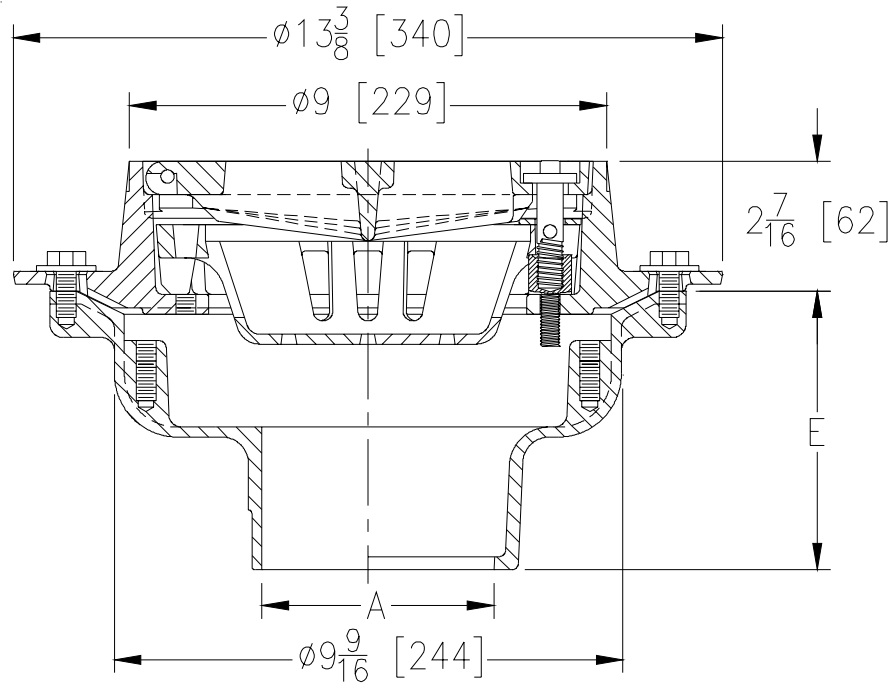
Z609-92

9 [229] SQUARE HEAVY-DUTY DRAIN W/ HEEL-PROOF HINGED LOCKING GRATE

SPECIFICATION SHEET

TAG _____

Dimensional Data (inches and [mm]) are Subject to Manufacturing Tolerances and Change Without Notice



A Pipe Size In.	Approx. Wt. Lbs. [kg]	Grate Open Area Sq. In. [cm ²]
2-3-4 [51-76-102]	30 [14]	24 [155]

ENGINEERING SPECIFICATION: ZURN Z609-92

9 [229] Square Top Drain, Dura-Coated cast iron body with bottom outlet, seepage pan and combination membrane flashing clamp and frame, for heavy-duty heel-proof hinged locking grate and bucket.

OPTIONS (Check/specify appropriate options)

PIPE SIZE

- 2-3-4-6 [51-76-102-152]
- 2-3-4-6 [51-76-102-152]
- 2-3-4 [51-76-102]
- 2-3-4 [51-76-102]

(Specify size/type) OUTLET

- _____ IC Inside Caulk
- _____ IP Threaded
- _____ NH No-Hub
- _____ NL Neo-Loc

E BODY HT. DIM.

- 5 1/4 [133]
- 3 3/4 [95]
- 5 1/4 [133]
- 4 5/8 [117]

PREFIXES

- _____ Z D.C.C.I. Body and Grate*
- _____ ZB D.C.C.I. Body w/Polished Bronze Top (Add 3/16 [5] to 2 7/16 [62] Dim.)
- _____ ZN D.C.C.I. Body w/Polished Nickel Bronze Top (Add 3/16 [5] to 2 7/16 [62] Dim.)

SUFFIXES

- _____ -AR Acid Resistant Epoxy Coated Cast Iron
- _____ -DG Duresist Grate
- _____ -F 2 [51] High Extension
- _____ -G Galvanized Cast Iron
- _____ -GG Galvanized Grate
- _____ -H Hinged Grate
- _____ -P Trap Primer Connection
- _____ -S Secondary Strainer
- _____ -SC Solid Cover
- _____ -SS Stainless Steel Mesh Screen for Bucket
- _____ -TS Top Secured with Slotted Screws
- _____ -V Backwater Valve (See Z1099)
- _____ -VP Vandal-Proof Secured Top
- _____ -90 90° Threaded Side Outlet Body

*REGULARLY FURNISHED UNLESS OTHERWISE SPECIFIED

REV. A DATE: 9/14/04 C.N. NO. 92544

DWG. NO. P-14331 PRODUCT NO. Z609-92

ZURN INDUSTRIES, INC. ♦ SPECIFICATION DRAINAGE OPERATION ♦ 1801 Pittsburgh Ave. ♦ Erie, PA 16514

Phone: 814/455-0921 ♦ Fax: 814/454-7929 ♦ World Wide Web: www.zurn.com

In Canada: ZURN INDUSTRIES LIMITED ♦ 3544 Nashua Drive ♦ Mississauga, Ontario L4V1L2 ♦ Phone: 905/405-8272 Fax: 905/405-1292