



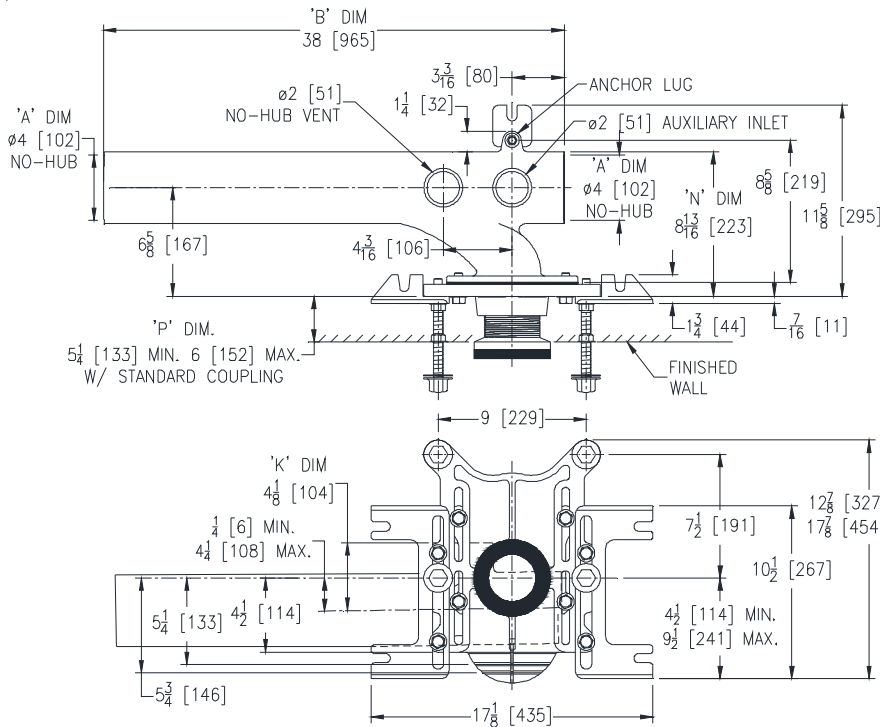
ZE1201-N_4-JC

ELONGATED BARREL FITTING 38 [965] EZCARRY™ ADJUSTABLE
HORIZONTAL HIGH PERFORMANCE SIPHON JET NO-HUB WATER
CLOSET CARRIER SYSTEM W/ 2 [51] AUXILIARY INLET W/ 1/8 BEND

SPECIFICATION SHEET

TAG _____

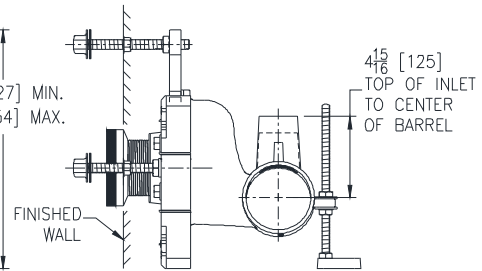
Dimensional Data (inches and [mm]) are Subject to Manufacturing Tolerances and Change Without Notice



Product Number	Approx. Wt. lbs [kg]
ZE1201-NL4-JC	89 [40]
ZE1201-NR4-JC	

Note:

1. ZE coupling, Min. 'P' Dim. Obtainable=2 [51]
ZQ coupling, Min. 'P' Dim. Obtainable=5 [127]
2. Feet bolted to floor using min. 1/2 [13] dia. anchors.
3. Rear anchor foot required for secure installation.



ZE1201-NR4-JC Illustrated

ENGINEERING SPECIFICATION: ZURN ZE1201-N_4-JC

EZCarry™ horizontal siphon jet water closet carrier system with high performance waterway and 4" [102mm] no-hub connections and 38" [965mm] barrel for stall to stall direct connection. System includes Dura-Coated cast iron main fitting with hydro-mechanically optimized sweep, 2" [51] auxiliary inlet with 1/8 bend, and extended 2" [51mm] vent, adjustable gasketed faceplate, universal floor mounted pre-fab slotted foot supports, heavy-duty 1/2" [13mm] rear anchor tie down, fixture bolts, trim, stud protectors, bonded "Neo-Seal" gasket, and corrosion resistant, adjustable 3" [76mm] dia. X 6" [152mm] coupling with integral test cap designed to increase flow velocity and line carry. EZCarry system complies with the requirements of ASME A112.6.1M up to a 500 lbs [227 kg] static load rating.

OPTIONS (Check/specify appropriate options)

- ___ ZE1201-NL4-JC 4 [102] No-Hub Left Hand Inlet with Flow to Right
- ___ ZE1201-NR4-JC 4 [102] No-Hub Right Hand Inlet with Flow to Left

PREFIXES

- ___ ZE D.C.C.I. System with Zurn ZZ Adjustable Coupling*
- ___ ZQ D.C.C.I. System with NPT Faceplate, Non-Adjustable Coupling

SUFFIXES

- | | |
|---|--|
| ___ -A Auxiliary Support Assembly
(For 'P' Dim. Greater than 18 [457]) | ___ -F Floor Mounted, Back Outlet Fixture Support |
| ___ -CC Corrosion Resistant Cast Iron Coupling
(2-1/4 [57] to 12 [305]) | ___ -G Galvanized Cast Iron |
| ___ -CE EZ-Set™ Coupling (Available 6 [152], 12 [305] or
longer when specified. Minimum length=5 [127]) | ___ -M Auxiliary Foot Support
(for 'P' Dim. 10 thru 18 [254 thru 457]) |
| ___ -CL Custom Length Standard Coupling with Integral Test Cap
(Specify Length 4, 8, 10, 12 [102, 203, 254, 305]) | ___ -RYK Unistrut Pre-Fab Foot Support |
| ___ -CS 2-1/4 [57] Polymer Coupling with Integral Test Cap | ___ -RYK17 One Piece Unistrut Pre-Fab Foot |
| | ___ -VP Vandal-Proof Trim |
| | ___ -45 Finishing Frame for Siphon Jet System |
| | ___ -50 Flush Valve Supply Support for Water Closets |

* Regularly furnished unless otherwise specified.

Zurn Industries, LLC | Specification Drainage Operation
1801 Pittsburgh Avenue, Erie, PA U.S.A. 16502 · Ph. 855-663-9876, Fax 814-454-7929
In Canada | Zurn Industries Limited
3544 Nashua Drive, Mississauga, Ontario L4V 1L2 · Ph. 905-405-8272, Fax 905-405-1292
www.zurn.com

Rev. -
Date: 11/18/16
C.N. No. 135552
Prod. | Dwg. No. ZE1201-N_4-JC