



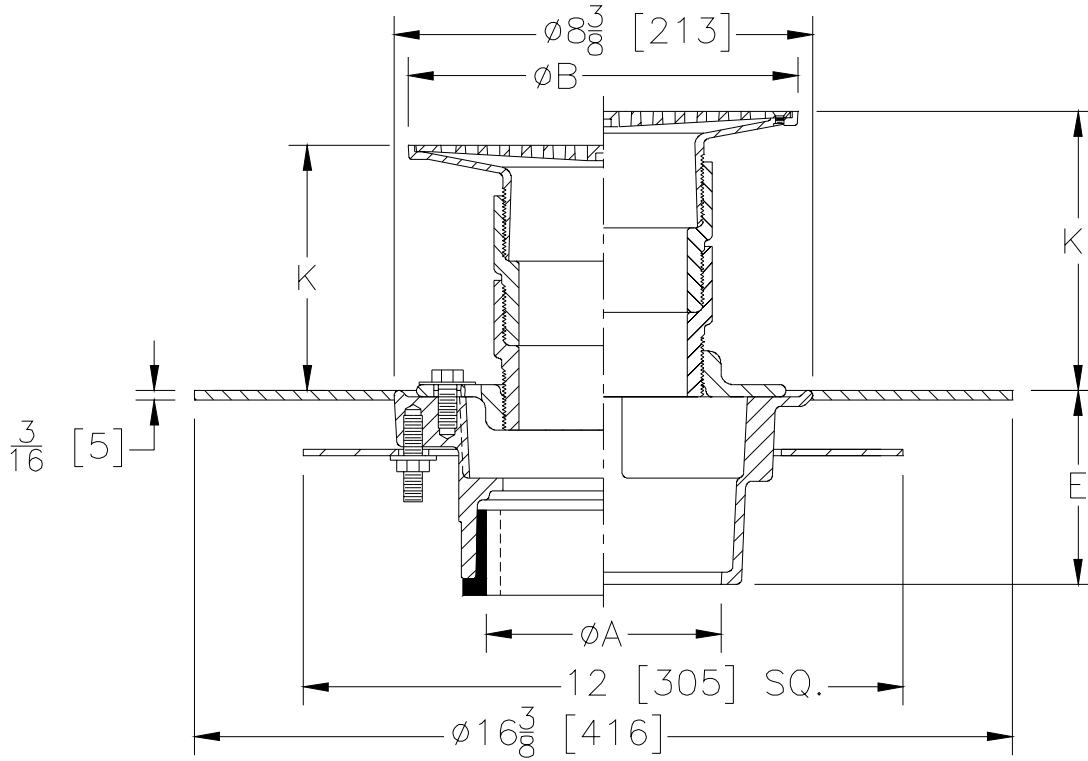
Z415B-85

SPECIFICATION SHEET

BODY ASSEMBLY W/ "TYPE B" STRAINER, UNDERDECK CLAMP, DEX-O-TEX FLANGE & EXTENSIONS

TAG _____

Dimensional Data (inches and [mm]) are Subject to Manufacturing Tolerances and Change Without Notice



Dimensions In Inches						Approx. Wt. Lbs. [Kg.]	Strainer Open Area Sq. In. [Cm ²]
A Pipe Size	B Strainer Dia.	K		K'			
		Min.	Max.	Min.	Max.		
2-3-4 [51-76-102]	8 [203]	4 7/8 [124]	7 1/2 [191]	5 3/8 [137]	8 [203]	21 [9]	9 [58]

ENGINEERING SPECIFICATION: ZURN Z415B-85 Dura-Coated cast iron body with bottom outlet, combination invertible membrane clamp, underdeck clamp, U extensions, Dex-o-Tex flange and adjustable collar with "Type B" chrome plated strainer.

OPTIONS (Check/specify appropriate options)

PIPE SIZE	(Specify type/size) OUTLET	'E' BODY HT. DIMENSION
2 thru 4 [51 thru 102]	_____ IC Inside Caulk	3 7/8 [98]
2 [51]	_____ IP Threaded	2 3/8 [60]
3 [76]	_____ IP Threaded	2 5/8 [66]
4 [102]	_____ IP Threaded	2 7/8 [73]
6 [152]	_____ IP Threaded	2 3/4 [69]
2 thru 4 [51 thru 102]	_____ NH No-Hub	3 7/8 [98]
2 thru 4 [51 thru 102]	_____ NL Neo-Loc	4 5/8 [117]

PREFIXES

- _____ ZB D.C.C.I. Body Assembly w/ Polished Bronze Top
- _____ ZN D.C.C.I. Body Assembly w/ Polished Nickel Bronze Top*
- _____ ZS D.C.C.I. Body Assembly w/ 8 [203] Dia. Stainless Steel Top

SUFFIXES

- _____ -AR Acid Resisting Epoxy Coated Cast Iron
- _____ -G Galvanized Cast Iron
- _____ -P Trap Primer Connection (Specify 1/2 [13] or 3/4 [19])
- _____ -TC Neo-Loc Test Cap Gasket (2 - 4 [51 - 102] NL Bottom Outlet Only)
- _____ -V Backwater Valve
- _____ -VP Vandal-Proof Secured Top
- _____ -90 90° Threaded Side Outlet Body (2 [51], 3 [76] Only)

REV. A	DATE: 02/24/04	C.N. NO. 91965
DWG. NO. P-14297	PRODUCT NO. Z415B-85	

*REGULARLY FURNISHED UNLESS OTHERWISE SPECIFIED