



# Z556-FS

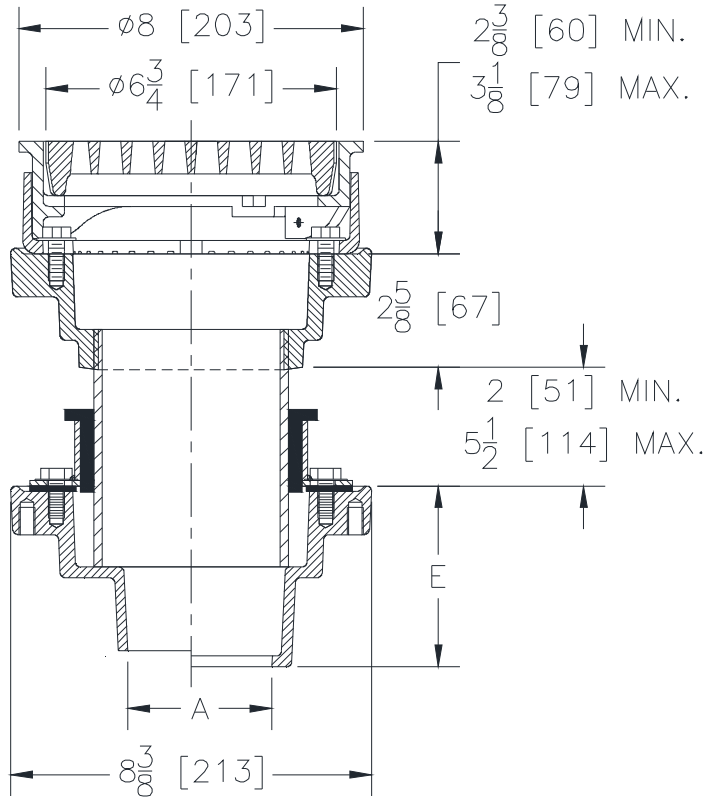
## 8 [203] ADJUSTABLE HEAVY-DUTY DRAIN FOR FLOATING SLAB

SPECIFICATION SHEET

TAG \_\_\_\_\_



Dimensional Data (inches and [ mm ]) are Subject to Manufacturing Tolerances and Change Without Notice



A Pipe Size Inches / [mm]	Approx. Wt. Lbs. / [kg]	Grate Open Area Sq. In. / [sq cm]
2-3-4-6 [51-76-102-152]	35 [16]	11 [71]

### ENGINEERING SPECIFICATION: ZURN Z556-FS

8 [203] diameter heavy-duty floor drain, Dura-Coated cast iron upper and lower bodies, seepage pan and combination membrane flashing clamp and frame for heavy-duty anti-tilt cast iron grate. Floating slab drain features cast iron sleeve, watertight sleeve gasket, and gasketed clamping collar.

### OPTIONS (Check/specify appropriate options)

#### PIPE SIZE

- 2-3-4 [51-76-102]
- 2-3-4 [51-76-102]
- 2-3-4-6 [51-76-102-152]
- 2-3-4 [51-76-102]
- 2-3-4 [51-76-102]

#### (Specify size/type) OUTLET

- \_\_\_\_\_ IC Inside Caulk
- \_\_\_\_\_ IG Inside Gasket
- \_\_\_\_\_ IP Threaded
- \_\_\_\_\_ NH No-Hub
- \_\_\_\_\_ NL Neo-Loc

#### E BODY HT. DIM.

- 3-7/8 [98]
- 3-7/8 [98]
- 2-5/8 [67]
- 3-7/8 [98]
- 4-5/8 [117]

#### PREFIXES

- \_\_\_\_\_ Z D.C.C.I. Body with Grate\*
- \_\_\_\_\_ ZN D.C.C.I. Body with Polished Nickel Bronze Top (Add 3/16 [5] to Min./Max. Dimension)

#### SUFFIXES

- \_\_\_\_\_ -AR Acid-Resisting Epoxy Coated Cast Iron
- \_\_\_\_\_ -F0 3-1/2 x 9 [89 x 229] Funnel
- \_\_\_\_\_ -G Galvanized
- \_\_\_\_\_ -P 1/2 [13] Trap Primer Connection (lower body)
- \_\_\_\_\_ -VP Vandal-Proof Secured Top
- \_\_\_\_\_ -X Squeezin Backwater Valve
- \_\_\_\_\_ -Y Sediment Bucket
- \_\_\_\_\_ -6NH 6 [152] No-Hub Outlet (6IP w/ Z1040)

\* Regularly furnished unless otherwise specified.