

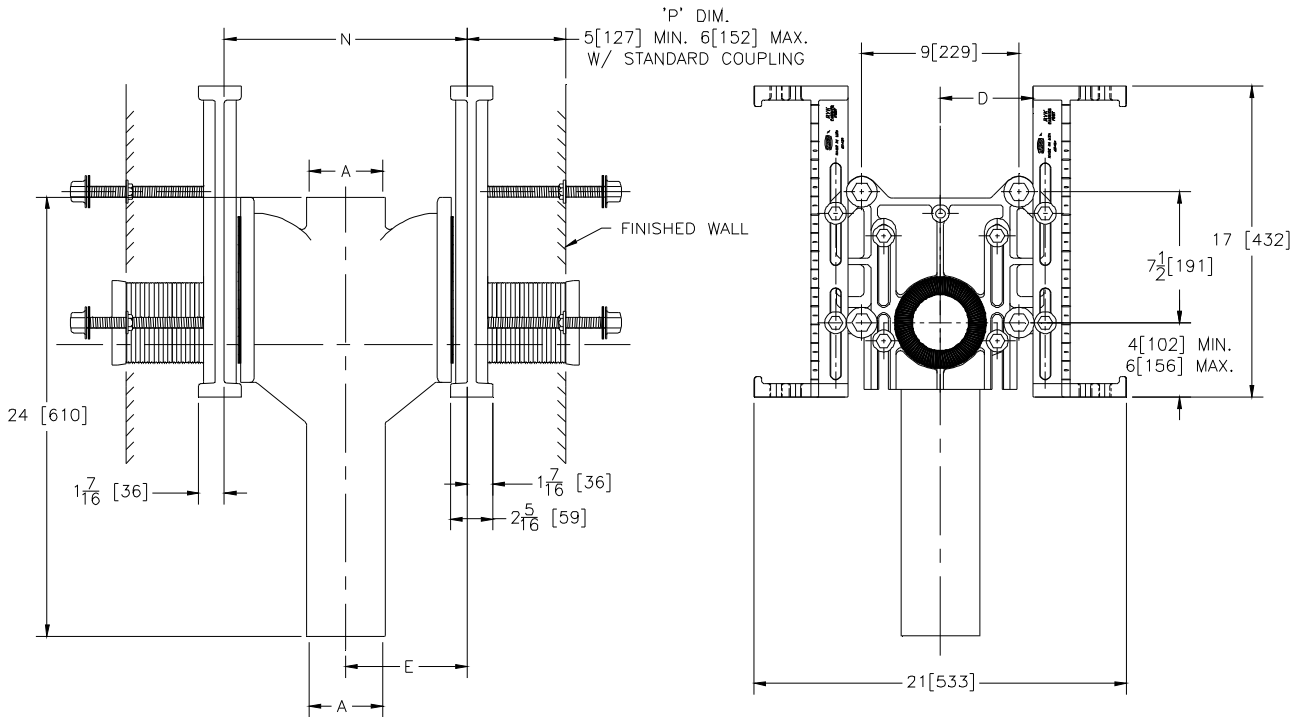


# Z1204-ND-86

SPECIFICATION SHEET

## ADJUSTABLE VERTICAL SIPHON JET-NO-HUB W/ TAG MODIFIED FACE PLATES FOR 4" MOD. ROUGH-IN

Dimensional Data (inches and [ mm ]) are Subject to Manufacturing Tolerances and Change Without Notice



Product No.	Dimensions In Inches [mm]					Approx. Wt. Lbs. [kg]
	A	D	E	H	N	
Z1204-ND4-86	4[102]	5[127]	6-5/8[168]	5-1/2[140]	13-1/4[336]	139 [63]
Z1204-ND5-86	5[127]	5-1/2[140]	6-5/8[168]	6-1/2[165]	13-1/4[336]	140 [63]
Z1204-ND6-86	6[152]	6[152]	7-1/8[181]	6-1/2[165]	14-1/4[362]	145 [66]

**Note:**

1. Min. 'P' Dim. Obtainable=2[51]
2. Two 4[102] or 5[127] side inlets as indicated.
3. Feet bolted to floor using min. 1/2[13] dia. bolts and back slots on carrier feet.

**ENGINEERING SPECIFICATION:** ZURN Z1204-ND( ) -86 Adjustable, vertical siphon jet water closet "Rigid System" with ( ) size No-Hub connections and ( ) side inlets. Complete with Dura-Coated cast iron right and left hand fitting, with 2[51] vent, modified adjustable gasketed face plate, universal floor mounted foot supports, corrosion resistant adjustable ABS coupling with integral test cap, fixture bolts, trim, and stud protectors. Rear anchor tie down, and bonded "Neo-Seal" gasket.

**PRODUCT/DEFINITION**

\_\_\_\_\_ Z1204-ND( )-86 No-Hub Stack, Double Inlets, 2[51] Vent.\*

**PREFIXES**

- \_\_\_\_\_ Z- D.C.C.I. System with Zurn "ZZ" Adjustable Coupling\*
- \_\_\_\_\_ ZQ- D.C.C.I. System with Non-Adjustable Coupling

**SUFFIXES**

- \_\_\_\_\_ -A Auxiliary Support Assembly (For P-Dim. greater than 18[457]) \_\_\_\_\_ -29 Mechanical Test Cap Assembly (Previously Z-1210-29)
- \_\_\_\_\_ -BC Back Cleanout \_\_\_\_\_ -45 Finishing Frame for Siphon Jet System (For Blowout System specify -45-B) (Previously Z-1210-45)
- \_\_\_\_\_ -CC Cast Iron Coupling 6[152] Long \_\_\_\_\_ -50 Flush Valve Supply Support for W.C. (Previously Z-1210-50)
- \_\_\_\_\_ -CL Coupling Length Greater than 12[305] (Specify length if greater than 6[152]) \_\_\_\_\_ -61 "ZZ" Coupling Wrench
- \_\_\_\_\_ -F Floor Mounted Back Outlet, Fixture Support
- \_\_\_\_\_ -G Galvanized Cast Iron
- \_\_\_\_\_ -JJ 2[51] Auxiliary Inlet
- \_\_\_\_\_ -JL 2[51] Left Hand Auxiliary Inlet
- \_\_\_\_\_ -JR 2[51] Right Hand Auxiliary Inlet
- \_\_\_\_\_ -M Auxiliary Foot Support (For P-Dim. 10[254] 18[457])
- \_\_\_\_\_ -VP Vandal Proof Trim

\*REGULARLY FURNISHED UNLESS OTHERWISE SPECIFIED

REV.	DATE: 08/25/10	C.N. NO. 111596
DWG. NO. 302056	PRODUCT NO. Z1204-ND-86	