



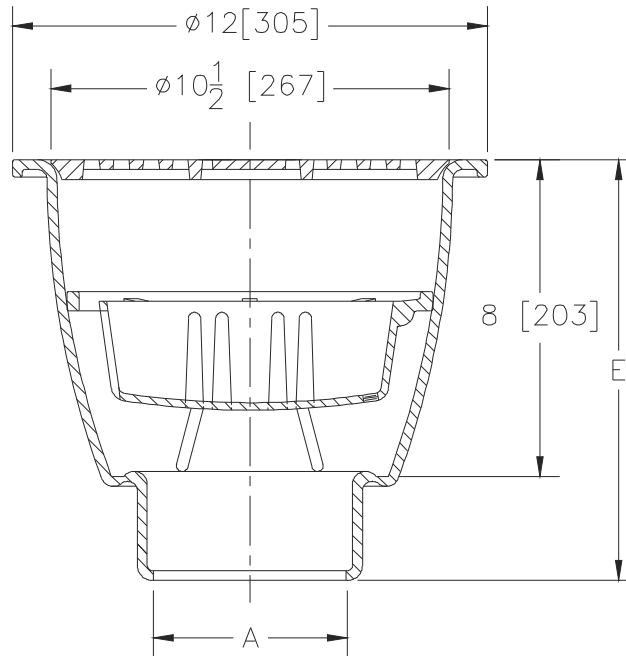
Z1950-23-31

12 [305] DIAMETER A.R.E. SANI-FLOR RECEPTOR
 8 [203] SUMP DEPTH W/ ALUMINUM BUCKET WITH
 STAINLESS MESH LINER

SPECIFICATION SHEET

TAG _____

Dimensional Data (inches and [mm]) are Subject to Manufacturing Tolerances and Change Without Notice



A- Pipe Size In. [mm]	Approx Wt. Lbs. [kg]	Grate Open Area Sq. In. [cm ²]
2, 3, 4 [51, 76, 102]	39 [17]	22 [142]

ENGINEERING SPECIFICATION: ZURN Z1950-23-31 Sani-Flor Receptor 12" [305mm] Diameter x 8" [203mm] deep cast iron body and round slotted light duty grate, with white acid resisting porcelain enamel interior and top, black ground enamel exterior coating, and aluminum bucket with stainless mesh liner.

OPTIONS (Check/specify appropriate options)

PIPE SIZE

- 3, 4 [76, 102]
- 2, 3, 4 [51, 76, 102]
- 2, 3, 4 [51, 76, 102]

(Specify size/type) **OUTLET**

- ___ IC Inside Caulk
- ___ NH No-Hub
- ___ NL Neo-Loc

'E' BODY HT. DIMENSION

- | Z | ZN |
|--------------|--------------|
| 10-5/8 [270] | 11 [279] |
| 10-5/8 [270] | 11 [279] |
| 10 [254] | 10-3/8 [264] |

PREFIXES

- ___ Z Cast Iron Body with White A.R.E. Interior*
- ___ ZN Cast Iron Body with White A.R.E. Interior, 12-1/2 [321] N.B. Frame and Full Grate with 1/4 [6] Square Opening

SUFFIXES

- | | |
|---|---|
| ___ -K Anchor Flange With Seepage Holes | ___ -3 3/4 Grate |
| ___ -KC Anchor Flange w/ Seepage Holes and Clamping Collar | ___ -4 Full Grate With 2 [51] Square Opening |
| ___ -LD (Less) Internal Bottom Dome Strainer | ___ -6 Grate w/6 [152] dia. x 6 [152] High Funnel |
| ___ -P 1/2 [13] Threaded Trap Primer Connection (See Z-1023) | ___ -8 Grate w/8-7/8 x 3-5/8 x 3-3/4 [225 x 92 x 95] High Oval Funnel |
| ___ -TC Neo-Loc Test Cap Gasket (2, 3, 4 [51, 76, 102] NL Bottom Outlet Only) | ___ -11 Vandal Proof Secured Grate |
| ___ -1 (Less) Grate | ___ -15 Solid Loose Set Cover |
| ___ -2 1/2 Grate | |

* Regularly furnished unless otherwise specified.