



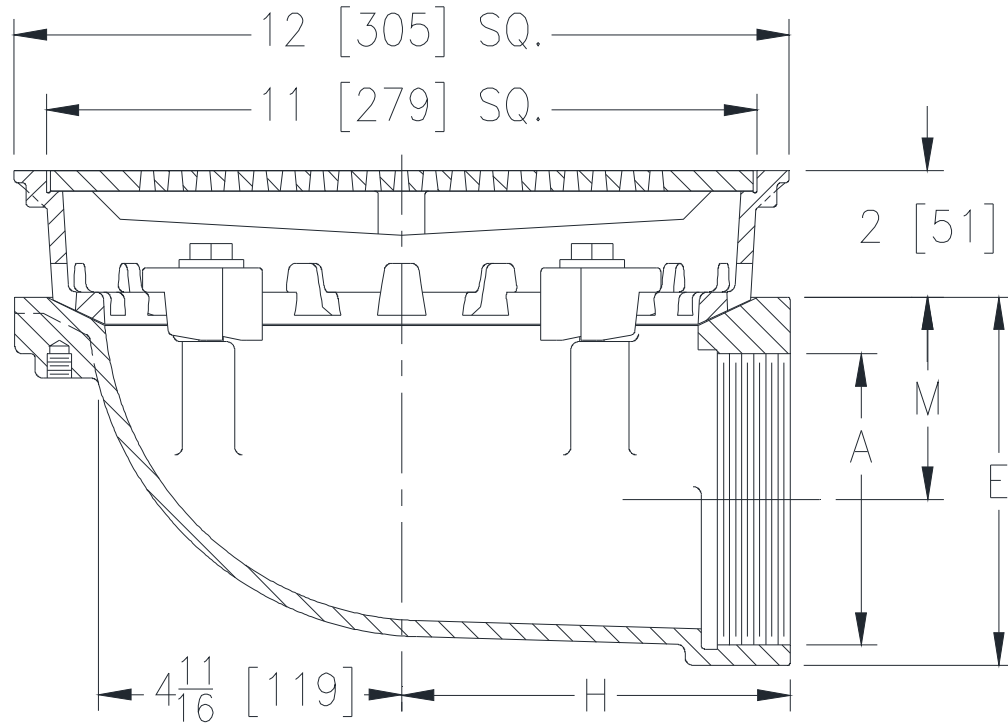
Z154-90

12 [305] SQUARE TOP LATERAL PROM-DECK DRAIN W/
HEEL-PROOF GRATE AND ROTATABLE FRAME

SPECIFICATION SHEET

TAG _____

Dimensional Data (inches and [mm]) are Subject to Manufacturing Tolerances and Change Without Notice



Dimensions In Inches [mm]			Approx. Wt. Lbs. [kg]	Grate Open Area Sq. In. [cm ²]
A- Pipe Size	H	M		
2 [51]	6 [152]	4-1/8 [105]	23 [10]	34 [219]
3 [76]	6 [152]	3-5/8 [92]	23 [10]	34 [219]
4 [102]	6 [152]	3-1/8 [79]	23 [10]	34 [219]

ENGINEERING SPECIFICATION: ZURN Z154-90 12" [305mm] Square top lateral prom-deck drain, Dura-Coated cast iron body with rotatable square promenade frame with seepage slots, frame clamps and light duty heel-proof grate.

OPTIONS (Check/specify appropriate options)

PIPE SIZE

2, 3, 4 [51, 76, 102]

(Specify size) **OUTLET**

___ IP Threaded

'E' BODY HT. DIM.

5-11/16 [144]

PREFIXES

- ___ Z D.C.C.I. Body with Top*
- ___ ZB D.C.C.I. Body with Polished Bronze Top (Add 3/16 [5] to 2 [51] Dim. and 5/8 [16] to 12 [304] Dim.)
- ___ ZN D.C.C.I. Body with Polished Nickel Bronze Top (Add 3/16 [5] to 2 [51] Dim. and 5/8 [16] to 12 [304] Dim.)

SUFFIXES

- ___ -AR Acid Resistant Epoxy Coated
- ___ -C Underdeck Clamp
- ___ -DG Duresist Grate (Z Only)
- ___ -DP Top-Set® Roof Deck Plate
- ___ -DT Decorative Polished Top (ZB and ZN Only)
- ___ -E Static Extension 1 [25] thru 4 [102] (Specify Height)
- ___ -G Galvanized Cast Iron
- ___ -SC Secondary Clamp Collar
- ___ -TS Top Secured with Slotted Screws
- ___ -VP Vandal-Proof Secured Top
- ___ -Y Sediment Bucket
- ___ -85 Stainless Steel Perforated Extension

* Regularly furnished unless otherwise specified.