

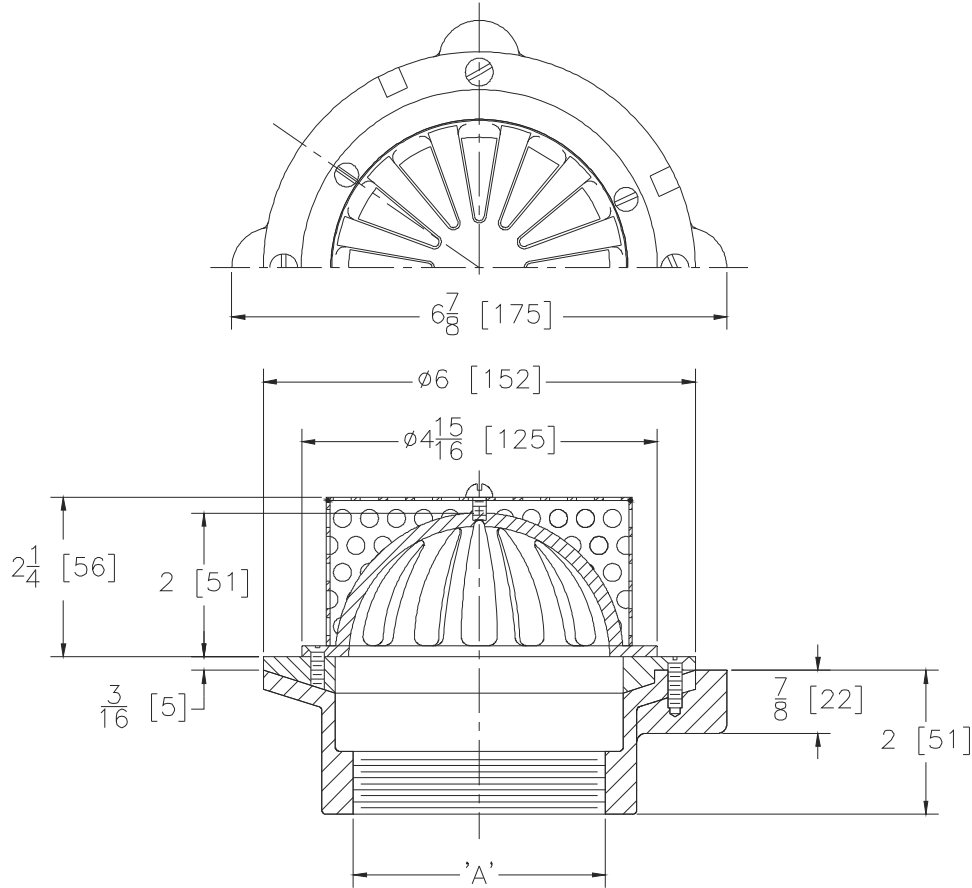


Z352-78
SMALL AREA PLANTING DRAIN
W/ PERFORATED SCREEN ASSEMBLY

SPECIFICATION SHEET

TAG _____

Dimensional Data (inches and [mm]) are Subject to Manufacturing Tolerances and Change Without Notice



A-Pipe Size Inches	Approx. Wt. Lbs. [kg]	Dome Open Area Sq. In. [cm ²]
3 [76]	4 [2]	12 [77]
4 [102]	6 [3]	12 [77]

ENGINEERING SPECIFICATION: ZURNZRB352-78
 6 [152] Diameter Small Area Planting Drain, Dura-Coated cast iron body with bottom outlet, plain bronze membrane flashing clamp and dome strainer with secured stainless steel perforated screen assembly.

OPTIONS (Check/specify appropriate options)

PIPE SIZE
 3-4 [76-102]

(Specify size/type) **OUTLET**
 _____ IP Threaded

PREFIXES

_____ ZRB D.C.C.I. Body w/ Bronze Dome and Stainless Steel Screen*

SUFFIXES

_____ -G Galvanized Cast Iron
 _____ -VP Vandal-Proof Secured Top
 _____ -45 45° Side Outlet
 _____ -90 90° Side Outlet

* Regularly furnished unless otherwise specified.