



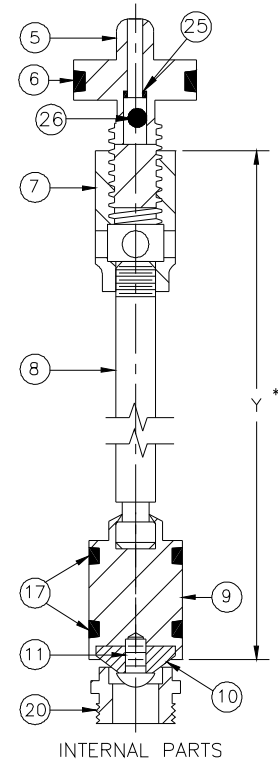
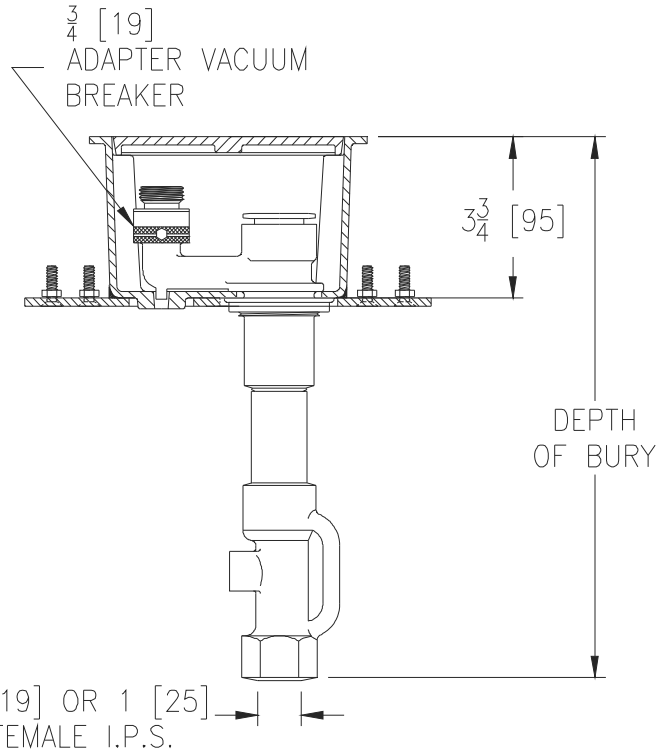
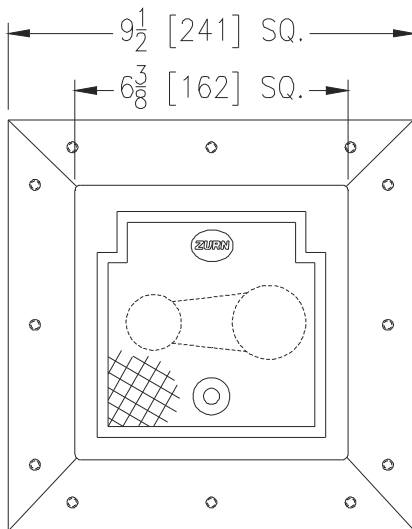
Z1360-KC-VB

GROUND HYDRANT W/ ADAPTER VACUUM BREAKER & FLASHING FLANGE W/ CLAMP COLLAR ENCASED, FLUSH TYPE, NON-FREEZE

SPECIFICATION SHEET

TAG _____

Dimensional Data (inches and [mm]) are Subject to Manufacturing Tolerances and Change Without Notice



Depth of Bury Feet	Approx. Wt. Lbs. [kg]
2 [610]	17 [8]
3 [914]	21 [10]
4 [1219]	25 [11]
5 [1524]	33 [15]
6 [1829]	39 [18]
7 [2134]	43 [20]
8 [2438]	47 [21]
9 [2743]	52 [24]
10 [3048]	56 [25]

ENGINEERING SPECIFICATION: ZURN Z1360-KC-VB

Encased, non-freeze hydrant with flashing flange & clamp collar, for flush with grade or finished (non-traffic) floor installation. Complete with galvanized steel casing, all bronze interior parts, bronze seat and replaceable seat washer, non-turning operating rod with free-floating compression closure valve and 3/4 [19] adapter vacuum breaker and air-relief operating screw. Plain bronze box and scoriated cover with operating key lock. Hydrant is equipped with a tapped 1/4 [6] drain port in valve housing.

Note:

- IMPORTANT Hydrant must be opened one turn to seal drain port during use.

CONNECTION TYPE:

_____ 3/4 [19] Hose Connection

PARTS LIST

Item	Name	Quan.
5	Operating Screw	1
6	O-Ring	1
7	Operating Coupling	1
8	Operating Rod	1
9	Washer Guide	1
10	Washer (neoprene)	1
11	Screw	1
17	O-Ring	2
20	Removable Seat	1
25	O-Ring	1
26	Ball	1

OPTIONS (Check/specify appropriate options)

SUFFIXES

- _____ -BC Bronze Casing
- _____ -CI D.C.C.I. Box and Cover
- _____ -DP12 1/2 [13] IP Drain Port in Box
- _____ -DP14 1/4 [6] IP Drain Port in Box
- _____ -DP38 3/8 [10] IP Drain Port in Box
- _____ -HD Heavy-Duty Cover (-CI and -NB only)
- _____ -NB Polished Nickel Bronze Face
- _____ -PB Polished Bronze Face
- _____ -RK Hydrant Parts Repair Kit

REV.	DATE: 06/26/13	C.N. NO. 129555	
PROD. NO./DWG. NO. Z1360-KC-VB			

*WHEN ORDERING REPLACEMENT PARTS SPECIFY DIM.