



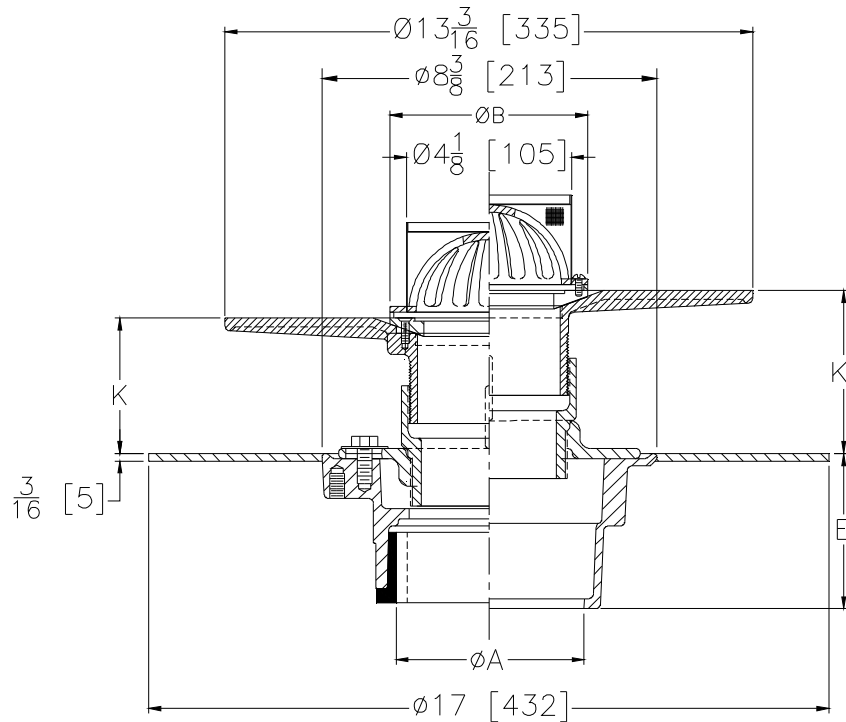
Z415G-79

BODY ASSEMBLY W/ "TYPE G" WIDE FLANGE HEAD, EXTENSION, STAINLESS STEEL SCREEN OVER DOME AND DEX-O-TEX FLANGE

SPECIFICATION SHEET

TAG _____

Dimensional Data (inches and [mm]) are Subject to Manufacturing Tolerances and Change Without Notice



A - Pipe Size	B Dia. Strainer	Str. Open Area Sq. In. [cm ²]	Approx. Wt. Lbs. [kg.]	K		K'	
				Min.	Max.	Min.	Max.
2-3-4 [51-76-102]	5 [127]	10 [254]	24 [11]	3 3/8 [86]	5 1/2 [140]	4 1/16 [103]	6 3/16 [157]

ENGINEERING SPECIFICATION: ZURNZ415G-79

Floor and shower drain. Dura-Coated cast iron body with bottom outlet, combination invertible membrane clamp and adjustable collar with "TYPE G" wide flanged head and polished nickel bronze dome strainer, stainless steel mesh screen, adjustable extension, and Dex-O-Tex flange.

OPTIONS (Check/specify appropriate options)

PIPE SIZE

2-3-4 [51-76-102]

2 [51]

3 [76]

4 [102]

2-3-4 [51-76-102]

2-3-4 [51-76-102]

(Specify size/type) OUTLET

_____ IC Inside Caulk

_____ IP Threaded

_____ IP Threaded

_____ IP Threaded

_____ NH No-Hub

_____ NL Neo-Loc

'E' BODY HT. DIM.

3 7/8 [98]

2 3/8 [60]

2 5/8 [67]

2 7/8 [73]

3 7/8 [98]

4 5/8 [117]

PREFIXES

_____ ZB D.C.C.I. Body Assembly w/ Polished Bronze Top

_____ ZN D.C.C.I. Body Assembly w/ Polished Nickel Bronze Top*

SUFFIXES

_____ -AR Acid Resisting Epoxy Coated Cast Iron

_____ -BS Bronze Mesh Screen Over Dome

_____ -CP Chrome-Plated Bronze Dome

_____ -G Galvanized Cast Iron

_____ -P Trap Primer Connection (Specify 1/2 [13] or 3/4 [19])

_____ -TC Neo-Loc Test Cap Gasket (2 - 4 [51 - 402] NL Bottom Outlet Only)

_____ -U 1 - 3 [25 - 76] High Extension Adapter

_____ -VP Vandal-Proof Secured Top

_____ -Y Sediment Bucket

_____ -90 90° Side Outlet Body Assembly (2 [51], 3 [76] Only)

*REGULARLY FURNISHED UNLESS OTHERWISE SPECIFIED

REV. DATE: 03/22/13 C.N. NO. 128969

PROD./DWG. NO. Z415G-79

ZURN INDUSTRIES, LLC. ♦ SPECIFICATION DRAINAGE OPERATION ♦ 1801 Pittsburgh Ave. ♦ Erie, PA 16514

Phone: 814/455-0921 ♦ Fax: 814/454-7929 ♦ World Wide Web: www.zurn.com

In Canada: ZURN INDUSTRIES LIMITED ♦ 3544 Nashua Drive ♦ Mississauga, Ontario L4V1L2 ♦ Phone: 905/405-8272 Fax: 905/405-1292