



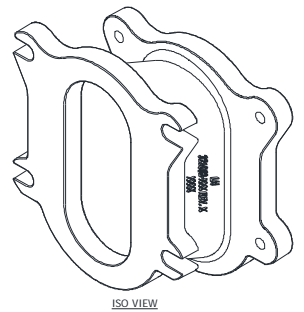
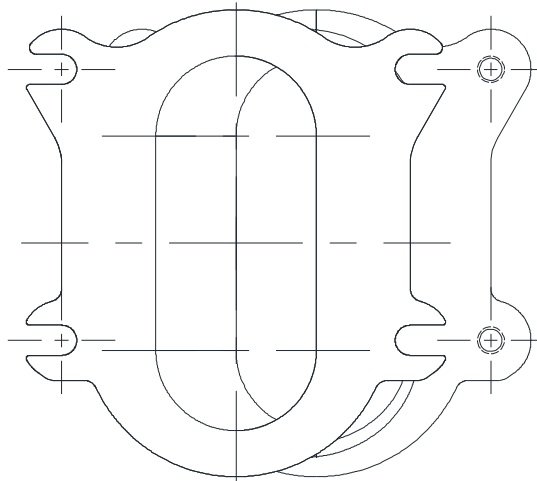
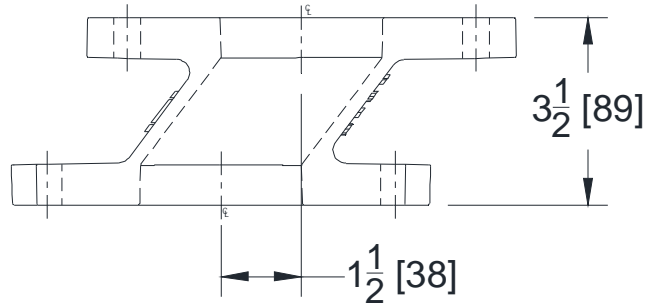
Z1200-OFL-EZ

LEFT OFFSET FITTING

SPECIFICATION SHEET

TAG _____

Dimensional Data (inches and [mm]) are Subject to Manufacturing Tolerances and Change Without Notice



ENGINEERING SPECIFICATION: ZURN Z1200-OFL-EZ

Offset fitting for 1-1/2" [38mm] horizontal adjustment to left on water closet carriers with EZ1™ technology.

* Regularly furnished unless otherwise specified.

Zurn Industries, LLC | Specification Drainage Operation
1801 Pittsburgh Avenue, Erie, PA U.S.A. 16502 · Ph. 855-663-9876, Fax 814-454-7929
In Canada | Zurn Industries Limited
7900 Goreway Drive, Unit 10, Brampton, Ontario L6T 5W6 · Ph. 877-892-5216
www.zurn.com

Rev. -
Date: 08/26/2020
C.N. No. 142985
Prod. | Dwg. No. Z1200-OFL-EZ