



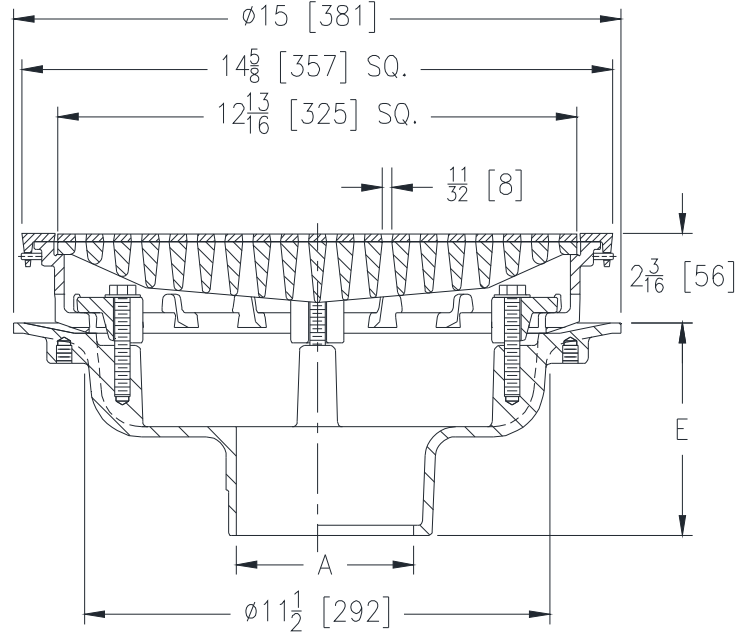
Z150-150

14" [356] TOP PROM-DECK DRAIN WITH 11/32 [8] OPENING SLOTTED GRATE

SPECIFICATION SHEET

TAG _____

Dimensional Data (inches and [mm]) are Subject to Manufacturing Tolerances and Change Without Notice



A- Pipe Size In. [mm]	Approx. Wt. Lbs. [kg]	Grate Open Area Sq. In. [cm ²]
2,3,4 [51,76,102]	53 [24]	44 [284]
5,6 [127,152]		
8 [203]	54 [24]	
10 [254]		

ENGINEERING SPECIFICATION: ZURN Z150-150

14" [356mm] Top Prom-Deck drain, Dura-Coated cast iron body with promenade frame and bronze 11/32 [8] opening slotted grate with combination membrane flashing clamp/gravel guard, stainless steel veneer frame and bronze veneer grate.

OPTIONS (Check/specify appropriate options)

PIPE SIZE

2,3,4,6,8,10 [51,76,102,152,203,254]
 2,3,4,6,8,10 [51,76,102,152,203,254]
 2,3,4,6,8,10 [51,76,102,152,203,254]
 2,3,4 [51,76,102]

(Specify size/type) OUTLET

___ IC Inside Caulk
 ___ IP Threaded
 ___ NH No-Hub
 ___ NL Neo-Loc

E BODY HT. DIM.

5-1/4 [133]
 3-3/4 [95]
 5-1/4 [133]
 4-5/8 [117]

PREFIXES

___ ZB- Polished Bronze Top*
 ___ ZN- Polished Nickel Bronze Top

SUFFIXES

___ -AR Acid Resistant Epoxy Coated
 ___ -C Underdeck Clamp
 ___ -DB Deep Sump Body
 ___ -DE Deck Extension
 ___ -DP Top-Set® Roof Deck Plate (Replaces both the -C and -R)
 ___ -DR Top-Set® Drain Riser (Adjustment from 3-5/8 [92] to 7-1/4 [184])
 ___ -DX Dex-o-tex Flange (ZB and ZN Only)
 ___ -E Static Extension 1 [25] thru 4 [102] (Specify Ht.)
 ___ -EA Adjustable Extension Assembly 2-1/8 [54] thru 3-1/2 [89]

___ -EB Top-Set® Adjustable Extension Assembly
 ___ -G Galvanized Cast Iron
 ___ -R Roof Sump Receiver
 ___ -S Secondary Strainer
 ___ -SC Secondary Clamp Collar
 ___ -TC Neo-Loc Test Cap Gasket (2,3,4 [51,76,102] NL Bottom Outlet Only)
 ___ -TS Top Secured with Slotted Screws
 ___ -VP Vandal-Proof Secured Top
 ___ -XJ Vertical Expansion Joint (See Z190)
 ___ -Y Sediment Bucket
 ___ -85 Stainless Steel Perforated Extension
 ___ -90 90° Threaded Side Outlet Body (2,3,4,5,6 [51,76,102,127,152])

* Regularly furnished unless otherwise specified.