



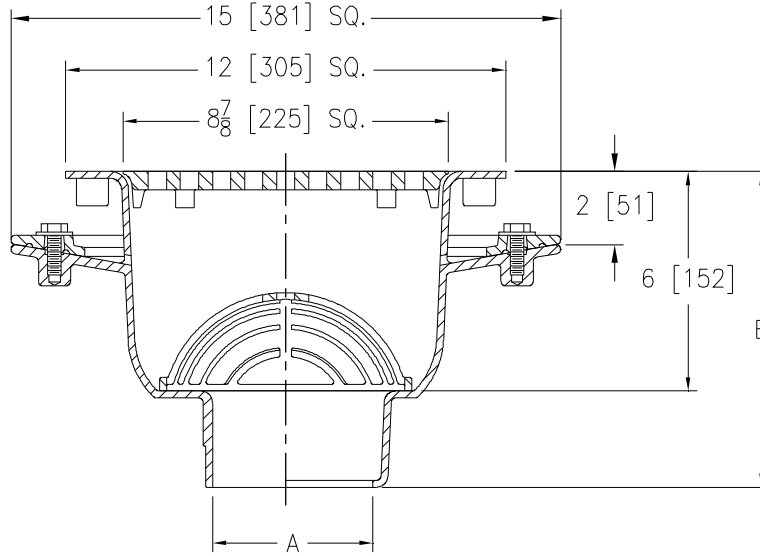
# Z1900-KC

12 x 12 [305 x 305] A.R.E. SANI-FLOR RECEPTOR  
W/ 6 [152] SUMP DEPTH & ANCHOR FLANGE WITH  
SEEPAGE HOLES AND CLAMP COLLAR

SPECIFICATION SHEET

TAG \_\_\_\_\_

Dimensional Data (inches and [ mm ]) are Subject to Manufacturing Tolerances and Change Without Notice



A Pipe Size In [mm]	Approx Wt. Lbs.[kg]	Grate Open Area Sq. In. [cm <sup>2</sup> ]
2,3,4 [51,76,102]	34 [15]	31 [200]

### ENGINEERING SPECIFICATION: ZURNZ1900-KC

Sani-Flor Receptor 12" x 12" x 6" [305mm x 305mm x 152mm] deep cast iron body with anchor flange with seepage holes and clamp collar, square slotted light duty grate with white acid resisting porcelain enamel interior and top, black ground enamel exterior coating, and white ABS anti-splash interior bottom dome strainer.

**OPTIONS** (Check/specify appropriate options)

#### PIPE SIZE

- 3,4 [76,102]
- 2,3,4 [51,76,102]
- 2,3,4 [51,76,102]

#### (Specify size/type) OUTLET

- \_\_\_ IC Inside Caulk
- \_\_\_ NH No-Hub
- \_\_\_ NL Neo-Loc

#### 'E' BODY HT. DIMENSION

Z	ZN / ZS
8-5/8 [219]	9-1/8 [232]
8-5/8 [219]	9-1/8 [232]
8 [203]	8-1/2 [216]

#### PREFIXES

- \_\_\_ Z Cast Iron Body with White A.R.E. Interior\*
- \_\_\_ ZN Cast Iron Body with White A.R.E. Interior, 12-1/2 [317] Square Nickel Bronze Frame and Full Grate with 1/2 [13] Openings
- \_\_\_ ZS Cast Iron Body with White A.R.E. Interior, 12-1/2 [317] Square Stainless Steel Frame and Full Grate with 1/2 [13] Openings

#### SUFFIXES

- |   |  |
|---|--|
| ___ -DX Dex-O-Tex Flange (ZN Only)  | ___ -4 Full Grate w/ Center Opening (2 [51] Dia. for Z) and (3-1/32 [77] Square for ZN & ZS) |
| ___ -HD Stainless Steel Frame w/ Extra Heavy-Duty Stainless Steel Grate (ZS Only) | ___ -6 Grate w/ 6 [152] Dia. x 6 [152] High Funnel   |
| ___ -HP Heel-Proof Grate (ZN Only)  | ___ -8 Grate w/ 8-7/8 x 3-5/8 x 3-3/4 [225 x 92 x 95] High Oval Funnel                       |
| ___ -LD (Less) Bottom Dome Strainer   | ___ -11 Vandal-Proof Secured Top (ZN & ZS Only)  |
| ___ -P 1/2 [13] Trap Primer Connection (See Z1023)                                | ___ -15 Solid Loose Set Cover (Z & ZN Only)  |
| ___ -SA Stabilizer Assembly (See Z1903)   | ___ -19 Full Hinged Grate (ZN Only)  |
| ___ -TC Neo-Loc Test Cap Gasket (2,3,4 [51,76,102] NL Bottom Outlet Only)         | ___ -23 Aluminum Bucket  |
| ___ -VPS Vandal-Proof Strainer  | ___ -25 White A.R.C. Bucket  |
| ___ -1 (Less) Grate   | ___ -31 Stainless Steel Mesh Liner for Bucket  |
| ___ -2 1/2 Grate  | ___ -32 Aluminum Dome Strainer   |
| ___ -3 3/4 Grate  | ___ -33 White A.R.C. Anti-Splash Bottom Dome Strainer  |

\* Regularly furnished unless otherwise specified.

Zurn Industries, LLC | Specification Drainage Operation  
1801 Pittsburgh Avenue, Erie, PA U.S.A. 16502 · Ph. 855-663-9876, Fax 814-454-7929  
In Canada | Zurn Industries Limited  
3544 Nashua Drive, Mississauga, Ontario L4V 1L2 · Ph. 905-405-8272, Fax 905-405-1292  
[www.zurn.com](http://www.zurn.com)

Rev. D  
Date: 10/12/17  
C.N. No. 138691  
Prod. | Dwg. No. Z1900-KC