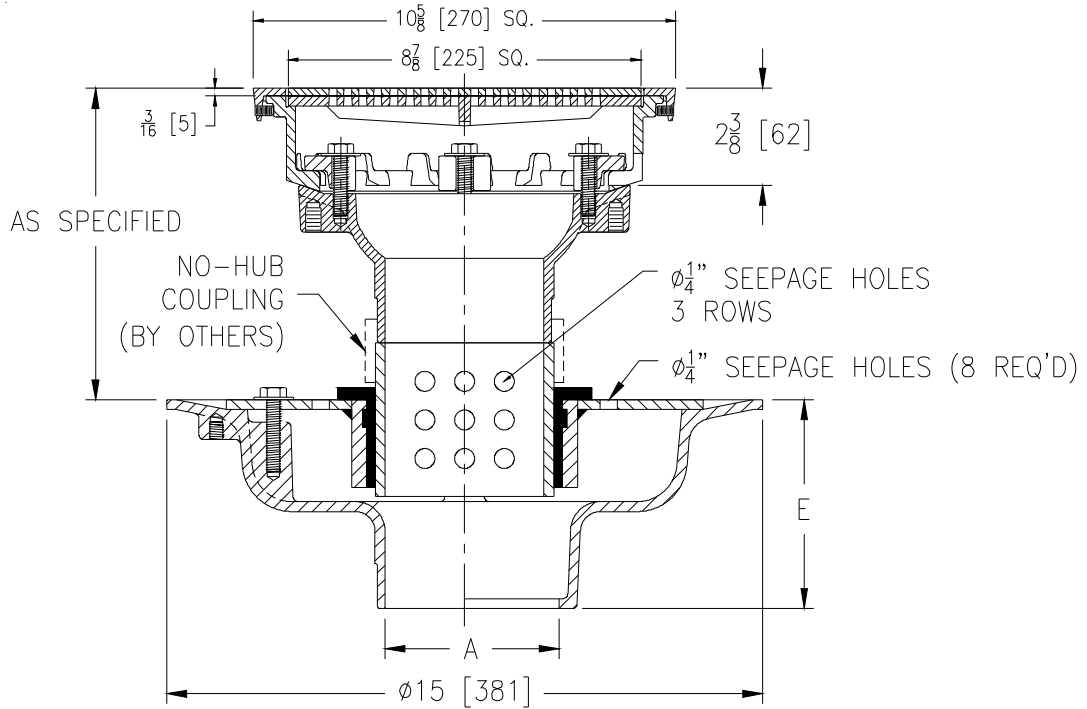


Dimensional Data (inches and [mm]) are Subject to Manufacturing Tolerances and Change Without Notice



ENGINEERING SPECIFICATION: ZURN Z627-97

Isolation deck drain, Dura-Coated cast iron upper and lower bodies, clamp collar with seepage holes, neoprene flex gasket, 4 [102] No-Hub and isolation nipple. Upper body with rotatable square cast iron promenade frame with seepage slots, frame clamps and decorative light-duty heel-proof grate with 3/16 [5] wide slots and nickel bronze veneer frame and grate.

A Pipe Size	Approx. Wt. Lbs. Less Nipple [kg]	Grate Open Area Sq. In. [cm ²]
3-4-5-6 [76-102-127-152]	51 [23]	18 [116]

OPTIONS (Check/specify appropriate options)

PIPE SIZE

- 3-4-5-6 [76-102-127-152]
- 3-4-6 [76-102-152]
- 3-4-5-6 [76-102-127-152]
- 3-4-5-6 [76-102-127-152]
- 3-4 [76-102]

(Specify size/type) **OUTLET**

- ___ IC Inside Caulk
- ___ IG Inside Caulk w/Sealtrol Gskt.
- ___ IP Threaded
- ___ NH No-Hub
- ___ NL Neo-Loc

'E' BODY HT. DIM.

- 5-1/4 [133]
- 5-1/4 [133]
- 3-3/4 [95]
- 5-1/4 [133]
- 4-5/8 [117]

PREFIXES

- ___ ZB D.C.C.I Body w/ Polished Bronze Top
- ___ ZN D.C.C.I Body w/ Polished Nickel Bronze Top*

SUFFIXES

- ___ -C Underdeck Clamp (Lower Body)
- ___ -G Galvanized Cast Iron
- ___ -R Sump Receiver (Lower Body)
- ___ -TS Top Secured with Slotted Screws
- ___ -VP Vandal-Proof Secured Top
- ___ -Y Sediment Bucket (Upper Body)

* Regularly furnished unless otherwise specified.