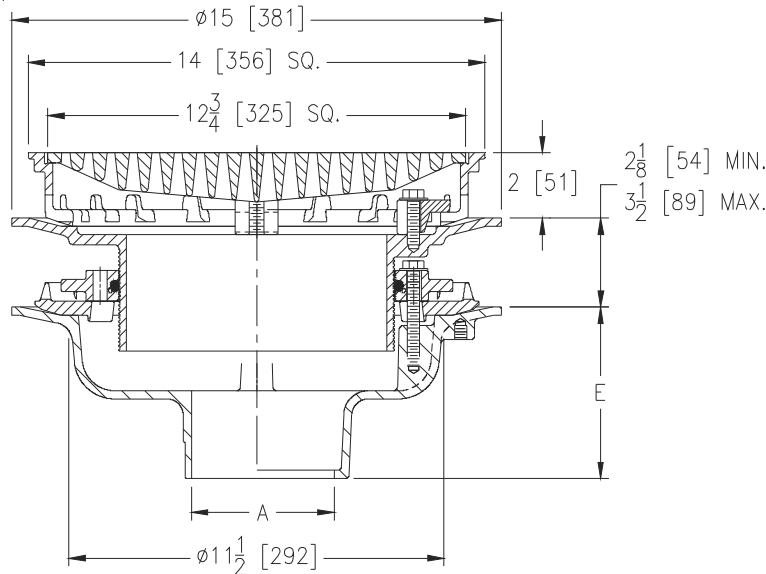




Z150-145

14 [356] SQUARE TOP PROM-DECK DRAIN WITH ADJUSTABLE EXTENSION & LOWER CLAMPING COLLAR TAG _____

Dimensional Data (inches and [mm]) are Subject to Manufacturing Tolerances and Change Without Notice



'A' Pipe Size In. [mm]	Approx. Wt. Lbs. [kg]	Grate Open Area Sq. In. [cm ²]
2,3,4 [51,76,102]	70 [32]	44 [284]
5,6 [126,152]		
8 [203]	71 [32]	

ENGINEERING SPECIFICATION: ZURN Z150-145

14 [356] Square Top Prom-Deck drain, Dura-Coated cast iron body, with rotatable square promenade frame with seepage openings, frame clamps, heavy duty heel proof grate, adjustable extension, lower clamping collar and secondary clamping collar with o-ring.

OPTIONS (Check/specify appropriate options)

PIPE SIZE

2,3,4,5,6,8 [51,76,102,127,152,203]
 2,3,4,5,6,8 [51,76,102,127,152,203]
 2,3,4,5,6,8 [51,76,102,127,152,203]
 2,3,4 [51,76,102]

(Specify size/type) OUTLET

___ IC Inside Caulk
 ___ IP Threaded
 ___ NH No-Hub
 ___ NL Neo-Loc

E BODY HT. DIM.

5-1/4 [133]
 3-3/4 [95]
 5-1/4 [133]
 4-9/16 [116]

PREFIXES

___ Z D.C.C.I. Body with Top*
 ___ ZB D.C.C.I. Body with Polished Bronze Top (Add 3/16 [5] to 2 [51] Dim & 3/8 [10] to 14 [356] Dim.)
 ___ ZN D.C.C.I. Body with Polished Nickel Bronze Top (Add 3/16 [5] to 2 [51] Dim. & 3/8 [10] to 14 [356] Dim.)

SUFFIXES

___ -AR Acid Resistant Epoxy Coated	___ -HF High Flow Ductile Iron Grate (Open Area = 61 in ² [394 cm ²])
___ -C Underdeck Clamp	___ -G Galvanized Cast Iron
___ -DB Deep Sump Body	___ -R Roof Sump Receiver
___ -DG Duresist Grate	___ -S Secondary Strainer
___ -DP Top-Set® Roof Deck Plate (Replaces both the -C and -R)	___ -SC Secondary Clamping Collar
___ -DR Top-Set® Drain Riser (Adjustment from 3 5/8 [92] to 7 1/4 [184])	___ -TC Neo-Loc Test Cap Gasket (2 [51]-4 [102] NL Bottom Outlet Only)
___ -DT Decorative Polished Top (ZB and ZN Only)	___ -TS Top Secured With Slotted Screws
___ -DX Dex-o-tex Flange (ZB and ZN Only)	___ -VP Vandal-Proof Secured Top
___ -E Static Extension 1 [25] thru 4 [102] (Specify Ht.)	___ -XJ Vertical Expansion Joint (See Z190)
___ -EB Top-Set® Adjustable Extension Assembly	___ -Y Sediment Bucket
	___ -85 Stainless Steel Perforated Extension
	___ -90 90° Threaded Side Outlet Body (2 [51] thru 6 [152])

* Regularly furnished unless otherwise specified.