



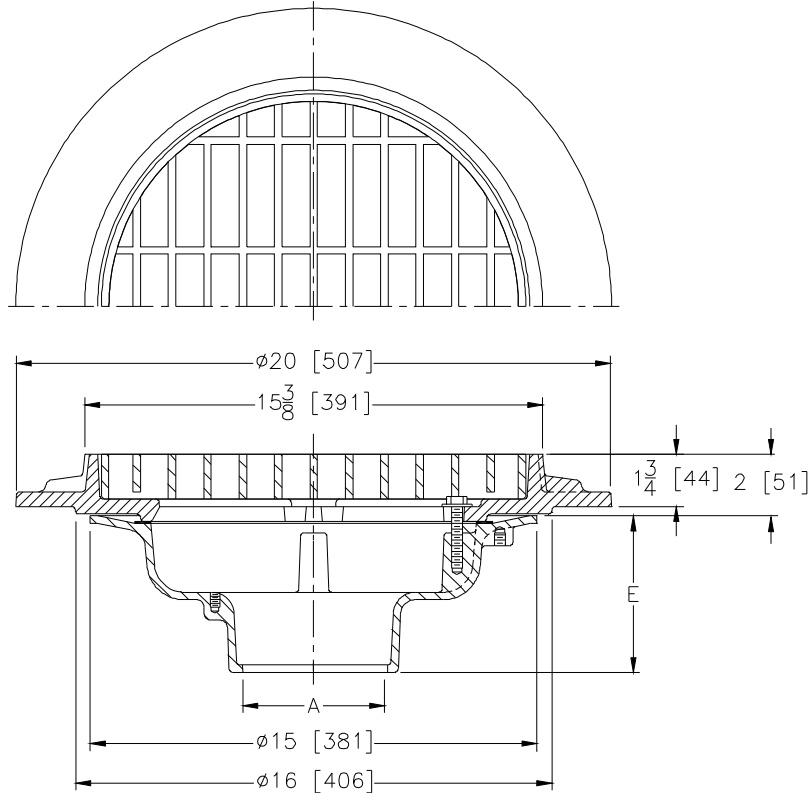
Z536-75

15 [381] DIAMETER PARKING DECK DRAIN WITH
SUPPORT FLANGE & 109 SQ. IN. [703CM²] OPEN AREA
BAR GRATE

SPECIFICATION SHEET

TAG _____

Dimensional Data (inches and [mm]) are Subject to Manufacturing Tolerances and Change Without Notice



A- Pipe Size In. [mm]	Approx. Wt. Lbs. [kg]	Grate Open Area Sq. In. [cm ²]
2,3,4,5,6 [51,76,101,127,152]	95 [43]	109 [703]
8,10 [203,254]	97 [44]	

ENGINEERING SPECIFICATION: ZURN Z536-75

15" [381mm] Diameter Parking Deck Drain. Dura-Coated cast iron body with bottom outlet, heavy-duty gasketed drain support flange, with 109 Sq. In. [703cm²] open area bar grate.

OPTIONS (Check/specify appropriate)

PIPE SIZE

(Specify size/type) **OUTLET**

'E' BODY HT. DIM.

2,3,4,5,6,8,10 [51,76,101,127,152,203,254]	___	IC	Inside Caulk	5-1/4 [133]
2,3,4,5,6,8,10 [51,76,101,127,152,203,254]	___	IG	Inside Caulk w/Sealtrol Gskt.	5-1/4 [133]
2,3,4,5,6,8,10 [51,76,101,127,152,203,254]	___	IP	Threaded	3-3/4 [95]
2,3,4,5,6,8,10 [51,76,101,127,152,203,254]	___	NH	No-Hub	5-1/4 [133]
2,3,4 [51,76,101]	___	NL	Neo-Loc	4-5/8 [117]

PREFIXES

___ Z	D.C.C.I. Body and Grate*
___ ZB	D.C.C.I. Body with Polished Bronze Grate (Add 3/16 [5] to 2 [51] Dim.)
___ ZN	D.C.C.I. Body with Polished Nickel Bronze Grate (Add 3/16 [5] to 2 [51] Dim.)

SUFFIXES

___ -C	Underdeck Clamp
___ -G	Galvanized Cast Iron
___ -VP	Vandal Proof Secured Top
___ -XJ	Vertical Expansion Joint (See Z-190)

* Regularly furnished unless otherwise specified.