



Z1800-8B-78

8 [203] DIAMETER ROUND INDUSTRIAL FLOOR DRAIN
W/HEAVY-DUTY GAS TIGHT SOLID COVER, VACUUM
HANDLE & THREADED OUTLET

SPECIFICATION SHEET

TAG _____

Dimensional Data (inches and [mm]) are Subject to Manufacturing Tolerances and Change Without Notice

Approx. Wt. Lbs. [kg]
7 [3]

Engineering Specification: ZURN Z1800-8B-78

8" [203mm] Diameter x 6" [152mm] deep, 18 gage, all type 304 (CF8) stainless steel round industrial floor drain with Heavy-Duty gas tight solid cover, vacuum handle, reinforced top frame, perforated removable sediment bucket with lift handle, pre-sloped bottom sump, and pre-pour stabilizing anchor tabs.

Options (Check/specify appropriate options)

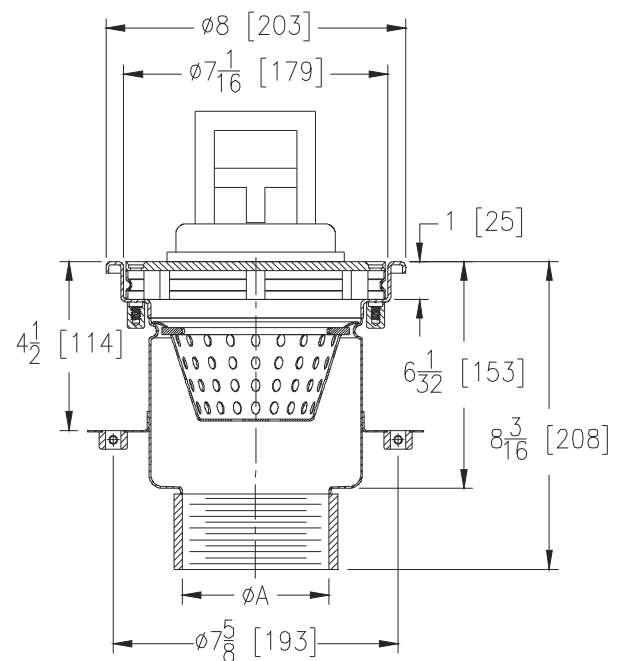
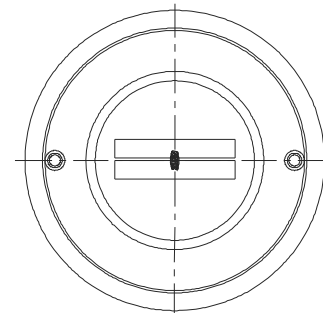
Pipe Size (ØA) (Specify size/type) **Outlet**
 2,3,4 [51,76,102] ___ IP Threaded NPT

Prefixes

- ___ Z Type 304 (CF8) Stainless Steel*
- ___ ZM Type 316 (CF8M) Stainless Steel

Suffixes

- ___ -B Bell Trap/Solid Sediment Bucket
- ___ -KC Anchor Flange w/Seepage Holes and Clamp Collar
- ___ -P ø1/2 [13] Trap Primer Connection
- ___ -SA Stabilizer Assembly (Z1035)
- ___ -SQ Stabilizer Q-Deck (Z1035-Q)
- ___ -TS Top Secured Grate
- ___ -VH Vacuum Handle (-GCH Cover Only)
- ___ -2PT 2 [51] Stainless Steel P-Trap
- ___ -3PT 3 [76] Stainless Steel P-Trap
- ___ -4PT 4 [102] Stainless Steel P-Trap



* Regularly furnished unless otherwise specified.