



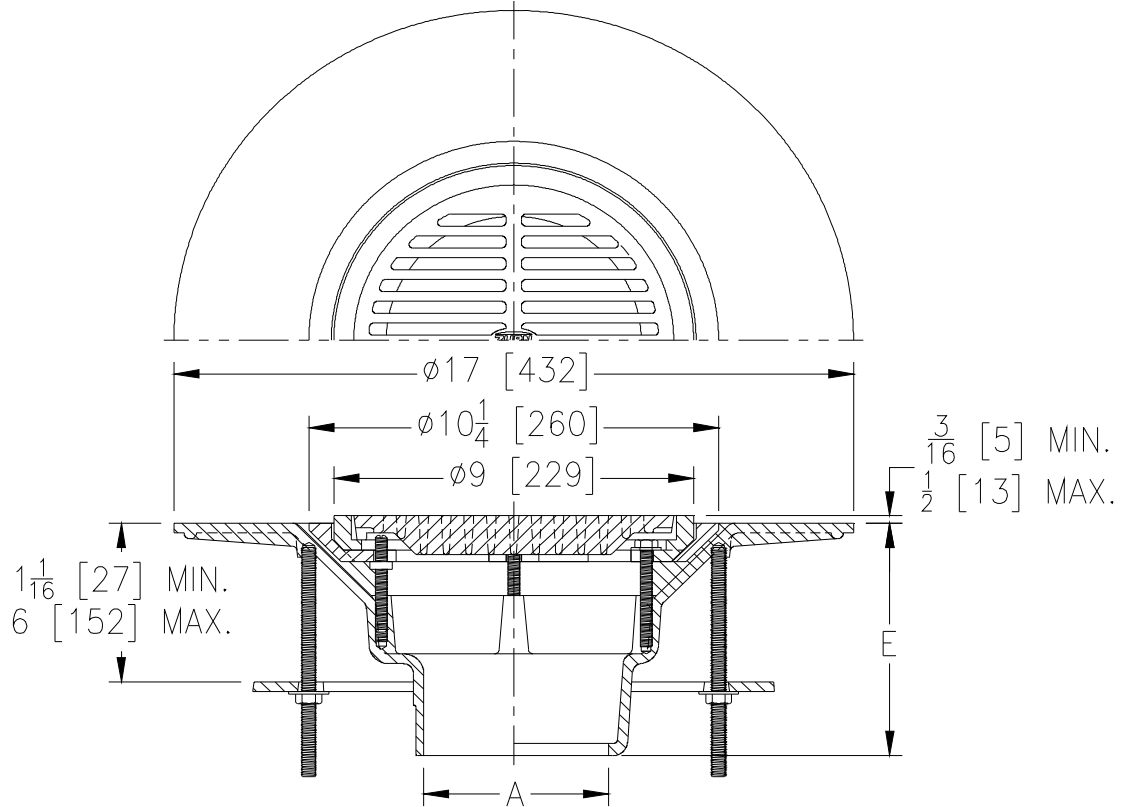
Z531-C

SPECIFICATION SHEET

9 [229] DIAMETER ADJUSTABLE FRAME WIDE

FLANGE MEDIUM-DUTY DECK DRAIN W/ UNDERDECK CLAMP TAG _____

Dimensional Data (inches and [mm]) are Subject to Manufacturing Tolerances and Change Without Notice



| A- Pipe Size In.[mm] | Approx. Wt. Lbs. [kg] | Grate Open Area Sq. In. [cm ²] |
|-------------------------|-----------------------------|--------------------------------------------------|
| 2,3,4 [51,76,102] | 56 [25] | 18 [116] |

ENGINEERING SPECIFICATION: ZURN Z531-C

9" [229mm] Diameter adjustable frame wide flange deck drain, Dura-Coated cast iron body with 10-1/4" [260mm] diameter latex troweling flange and combination adjustable latex troweling-edge-form and membrane flashing clamp, underdeck clamp and flat medium-duty grate.

OPTIONS (Check/specify appropriate options)

PIPE SIZE

- 2,3,4 [51,76,102]
- 2,3,4 [51,76,102]
- 2,3,4 [51,76,102]
- 2,3,4 [51,76,102]

(Specify size/type) OUTLET

- ___ IC Inside Caulk
- ___ IP Threaded
- ___ NH No-Hub
- ___ NL Neo-Loc

'E' BODY HT. DIM.

- 6 [152]
- 4-1/2 [114]
- 6 [152]
- 5-3/8 [136]

PREFIXES

- ___ Z D.C.C.I. Body and Top*
- ___ ZN D.C.C.I. Body with Polished Nickel Bronze Top

SUFFIXES

- ___ -DG Duresist Grate
- ___ -G Galvanized Cast Iron
- ___ -S Secondary Strainer
- ___ -TC Neo-Loc Test Cap Gasket
(2,3,4 [51,76,102] NL Bottom Outlet Only)
- ___ -TS Top Secured with Slotted Screws
- ___ -VP Vandal-Proof Secured Top
- ___ -Y Sediment Bucket

* Regularly furnished unless otherwise specified.