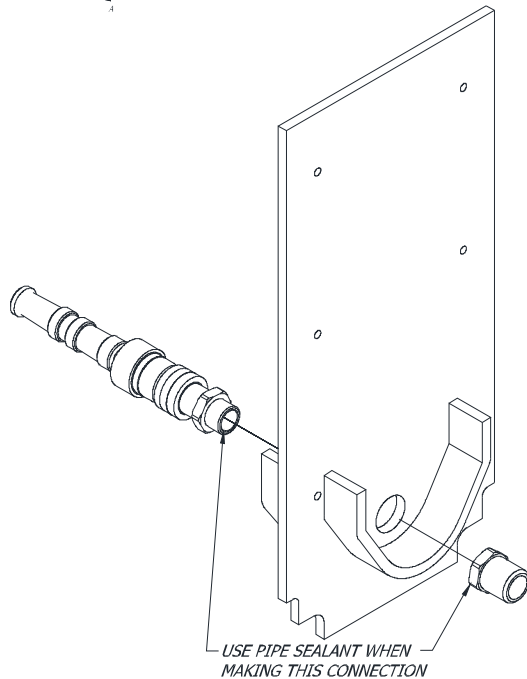
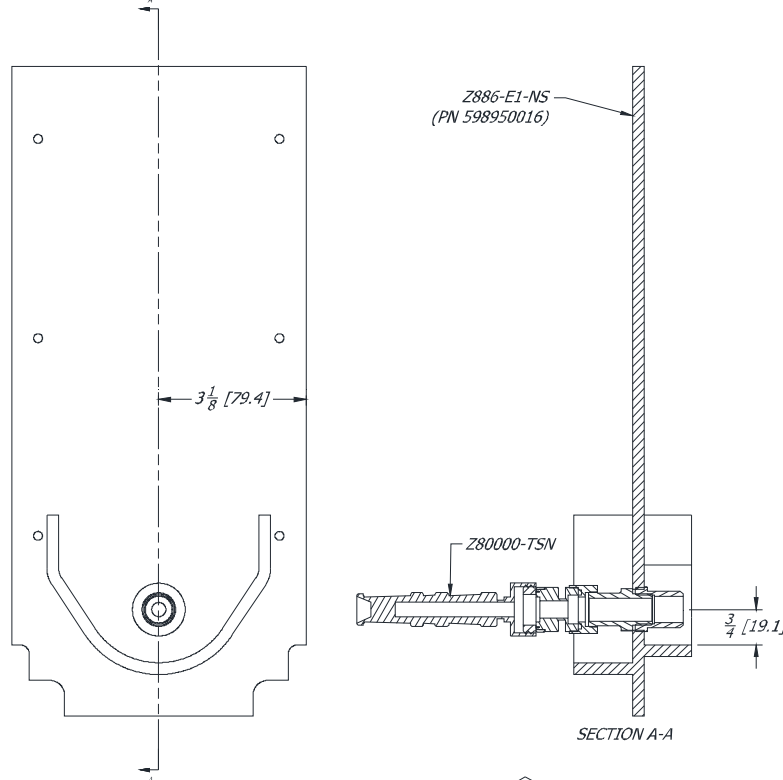




# Z886-E1-79

## 886 End Cap with Flushing Nozzle

Dimensional Data (inches and [ mm ]) are Subject to Manufacturing Tolerances and Change Without Notice



**ENGINEERING SPECIFICATION:** Zurn P886-E1-79

Zurn P886 End Cap is made of High Density Polyethylene. It can be trimmed to fit from a 8601 to a 8615 channel. Comes complete with attachment hardware to connect to channels. Complete with chrome plated bronze spray nozzle and water supply assembly for attachment.

\* Regularly furnished unless otherwise specified.