



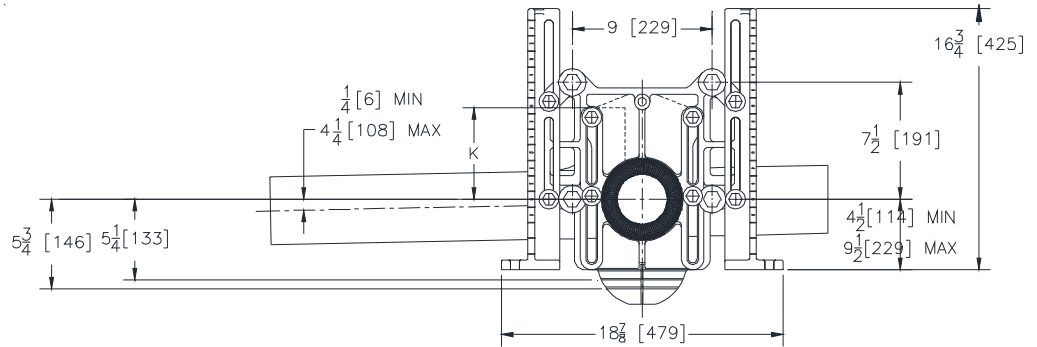
ZE1203-ND4

ADJUSTABLE HORIZONTAL BACK-TO-BACK SIPHONJET NO-HUB W/ ELONGATED FITTING

SPECIFICATION SHEET

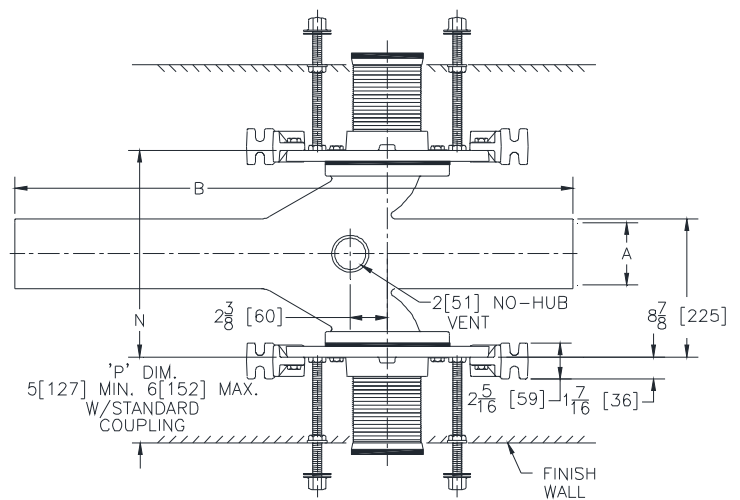
TAG _____

Dimensional Data (inches and [mm]) are Subject to Manufacturing Tolerances and Change Without Notice



Note:

1. Min. 'P' Dim. Obtainable = 2 [51] with cut standard coupling
2. Feet bolted to floor using min. 1/2[13] dia. bolts and back slots on carrier feet.



Product No.	Dimensions in Inches [mm]				Approx. Wt. Lbs. [kg]
	A	B	K	N	
ZE1203-ND4	4 [102]	36 [914]	6-1/8 [156]	13-3/8 [340]	136[62]

ENGINEERING SPECIFICATION: ZURN ZE1203-ND4

Adjustable, horizontal siphon jet water closet "Rigid System" with 4"[102mm] No-Hub connections. Complete with Dura-Coated cast iron double main elongated fitting, with 2" [51mm] vent, adjustable gasketed face plate, universal floor mounted foot supports, corrosion resistant adjustable polymer coupling with integral test cap, fixture bolts, trim, stud protectors, and bonded "Neo-Seal" gasket.

PRODUCT/DEFINITION

___ ZE1203-ND4 D.C.C.I. Elongated Fitting System with Zurn "ZZ" Adjustable Coupling*

PREFIXES

- ___ ZE D.C.C.I. Elongated Fitting System with Zurn "ZZ" Adjustable Coupling*
- ___ ZE-Q D.C.C.I. Elongated Fitting System with NPT Face Plate, Non-Adjustable Coupling

SUFFIXES

- ___ -A Auxiliary Support Assembly (For 'P' Dim. Greater than 18 [457])
- ___ -B Blowout Type Fixture Support
- ___ -CC Corrosion Resistant Cast Iron Coupling (6 [151] to 12 [305])
- ___ -CL Coupling Length Other Than Standard 6 [152] (Specified Length Required)
- ___ -F Floor Mounted, Back Outlet Fixture Support
- ___ -JC 2 [51] Auxiliary Inlet with Sanitary Sweep
- ___ -M Auxiliary Foot Support (for 'P' Dim. 10 [254] - 18 [457])
- ___ -PF Pre-Fab Foot
- ___ -PS Pre-Fab Slotted Foot
- ___ -RYK Unistrut Pre-Fab Foot
- ___ -VP Vandal-Proof Trim
- ___ -X3 3 [76] Carrier Foot Extension Assembly (See Z1200-FT-EXT-3)
- ___ -X4 4 [102] Carrier Foot Extension Assembly (See Z1200-FT-EXT-4)
- ___ -45 Finishing Frame for Siphon Jet System (See Z1200-FINFRAME-SJ)
- ___ -50 Flush Valve Supply Support for Water Closets (See Z1200-SPLY-SPRT-WC)

* Regularly furnished unless otherwise specified.