



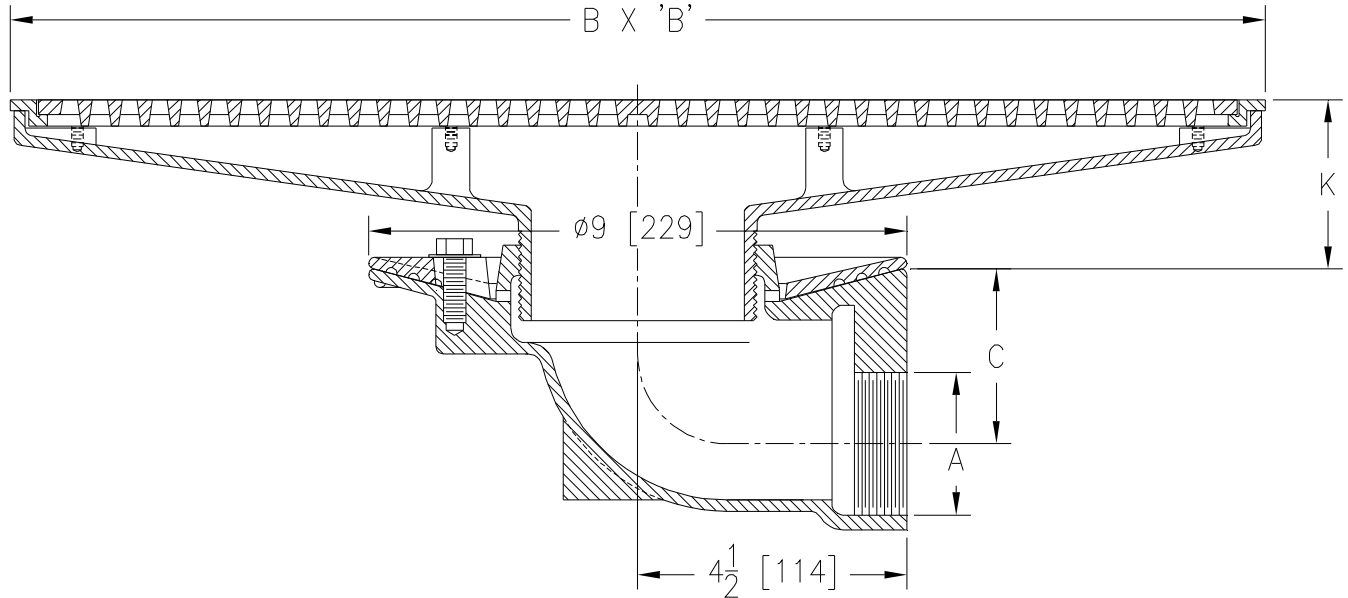
# Z415J-90

## BODY ASSEMBLY W/ "TYPE J" STRAINER

SPECIFICATION SHEET

TAG \_\_\_\_\_

Dimensional Data (inches and [ mm ]) are Subject to Manufacturing Tolerances and Change Without Notice



Dimensions In Inches				Approx. Wt. Lbs. [kg]	Strainer Open Area Sq. In. [cm <sup>2</sup> ]
A - Pipe Size	B x B' Strainer Size	K			
		Min.	Max.		
2-3 [51-76]	4 1/2 x 8 [114 x 203]	2 3/8 [60]	3 1/2 [89]	13 [6]	12 [72]
2-3 [51-76]	5 x 9 [127 x 229]	2 1/2 [64]	3 5/8 [92]	14 [6]	15 [97]
2-3 [51-76]	5 1/2 x 13 [140 x 330]	2 7/8 [73]	4 [102]	18 [8]	20 [129]
2-3 [51-76]	5 x 17 [127 x 432]	2 7/8 [73]	4 [102]	23 [10]	29 [187]
2-3 [51-76]	5 x 21 [127 x 533]	2 7/8 [73]	4 [102]	27 [12]	32 [206]
2-3 [51-76]	10 x 20 [254 x 508]	2 7/8 [73]	4 [102]	45 [20]	66 [426]

'C' Dimension Reference	
A-Pipe Size	C
2 [51]	2 15/16 [75]
3 [76]	2 3/8 [60]

**ENGINEERING SPECIFICATION:** ZURN Z415J-90 floor and shower drain. Dura-Coated cast iron body with side outlet, seepage holes, and membrane clamp collar with adjustable "TYPE J" polished, nickel bronze rectangular strainer.

**OPTIONS** (Check/specify appropriate options)

**PIPE SIZE**

- 2 [51]
- 3 [76]

(Specify size) **OUTLET**

- \_\_\_\_\_ IP Threaded
- \_\_\_\_\_ IP Threaded

**PREFIXES**

- \_\_\_\_\_ ZB D.C.C.I. Body Assembly w/Polished Bronze Top
- \_\_\_\_\_ ZN D.C.C.I. Body Assembly w/Polished Nickel Bronze Top\*

**SUFFIXES**

- \_\_\_\_\_ -AR Acid Resisting Epoxy Coated Cast Iron
- \_\_\_\_\_ -G Galvanized Cast Iron
- \_\_\_\_\_ -U 1 - 3 [25 - 76] High Extension Adapter
- \_\_\_\_\_ -V Backwater Valve
- \_\_\_\_\_ -VP Vandal-Proof Secured Top
- \_\_\_\_\_ -Y Sediment Bucket

<b>REV.</b>	<b>DATE: 12/13/06</b>	<b>C.N. NO. 95936</b>
<b>DWG. NO. 83010</b>	<b>PRODUCT NO. Z415J-90</b>	

\*REGULARLY FURNISHED UNLESS OTHERWISE SPECIFIED