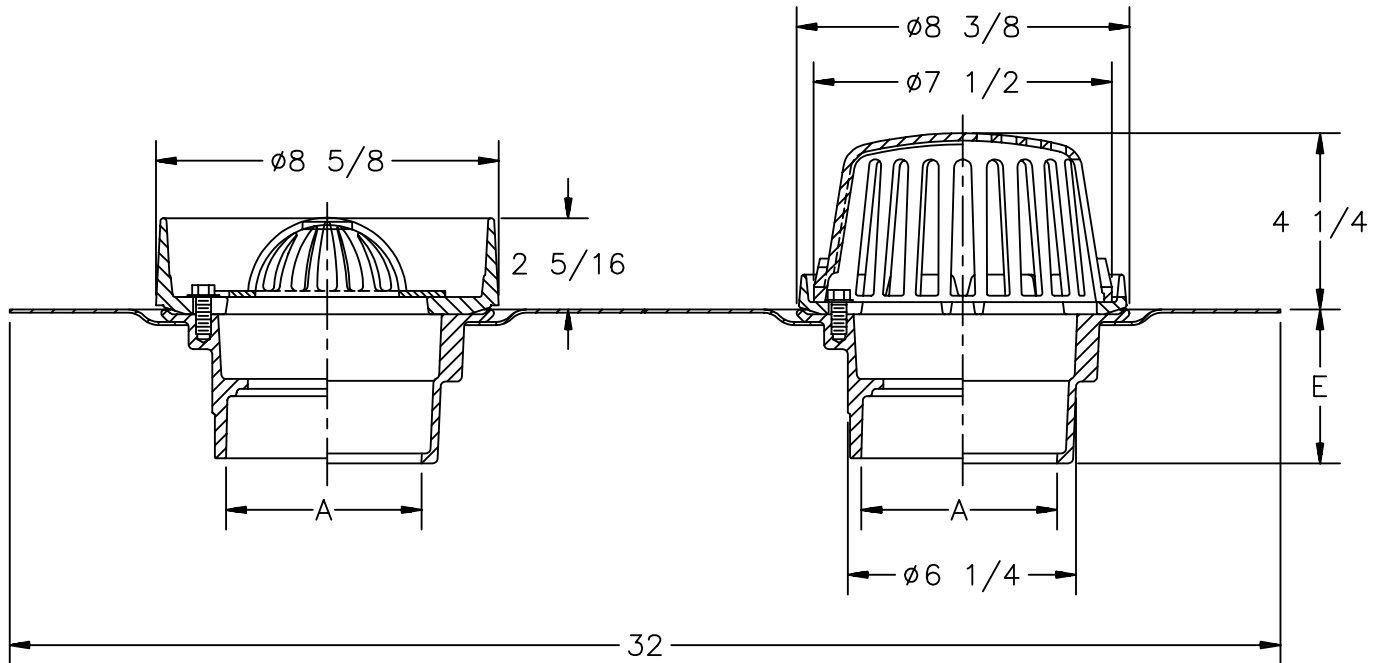




Z-125-93 8" DIAMETER COMBINATION ROOF DRAIN & OVERFLOW DRAIN

TAG _____

Dimensions Subject to Manufacturing Tolerances



A Pipe Size In.	Approx. Wt. Lbs	Dome Open Area Sq. In.
2-3-4	22	43

ENGINEERING SPECIFICATION: ZURN Z-125-93 8" Diameter roof drain combination consisting of two Dura-Coated cast iron bodies with one combination membrane flashing clamp/gravel guard and one combination membrane flashing clamp/overflow with one low silhouette dome, one aluminum internal dome and one steel 16 x 32 roof sump receiver.

OPTIONS (Check/specify appropriate options)

OUTLET	(Specify type)	PIPE SIZE	(Specify size)	'E' BODY HT. DIMENSION
_____	IC	_____	2", 3", 4"	3-7/8"
_____	IG	_____	2", 3", 4"	3-7/8"
_____	IP	_____	2", 3", 4"	2-5/8"
_____	NH	_____	2", 3", 4"	3-7/8"
_____	NL	_____	2", 3", 4"	4-5/8"

PREFIXES

- _____ Z- D.C.C.I. Body with Dome*
- _____ ZRB- D.C.C.I. Body with Plain Bronze Dome

SUFFIXES

- _____ -BS Bronze Mesh Screen Over Dome
- _____ -C Underdeck Clamp
- _____ -E Static Extension 1" thru 4" (Specify Height)
- _____ -G Galvanized Cast Iron
- _____ -S Secondary Clamp Collar
- _____ -SS Stainless Mesh Screen Over Dome
- _____ -VP Vandal Proof Secured Top
- _____ -XJ Vertical Expansion Joint (See Z-190)
- _____ -84 Stainless Steel Perforated Gravel Guard
- _____ -85 Stainless Steel Perforated Extension
- _____ -90 90° Threaded Side Outlet Body (2" thru 4") (Previously Z-126)

REV. _____	DATE: 1/11/93	C.N. NO. 68807
DWG. NO. P-13783	PRODUCT NO. Z-125-93	

*REGULARLY FURNISHED UNLESS OTHERWISE SPECIFIED