



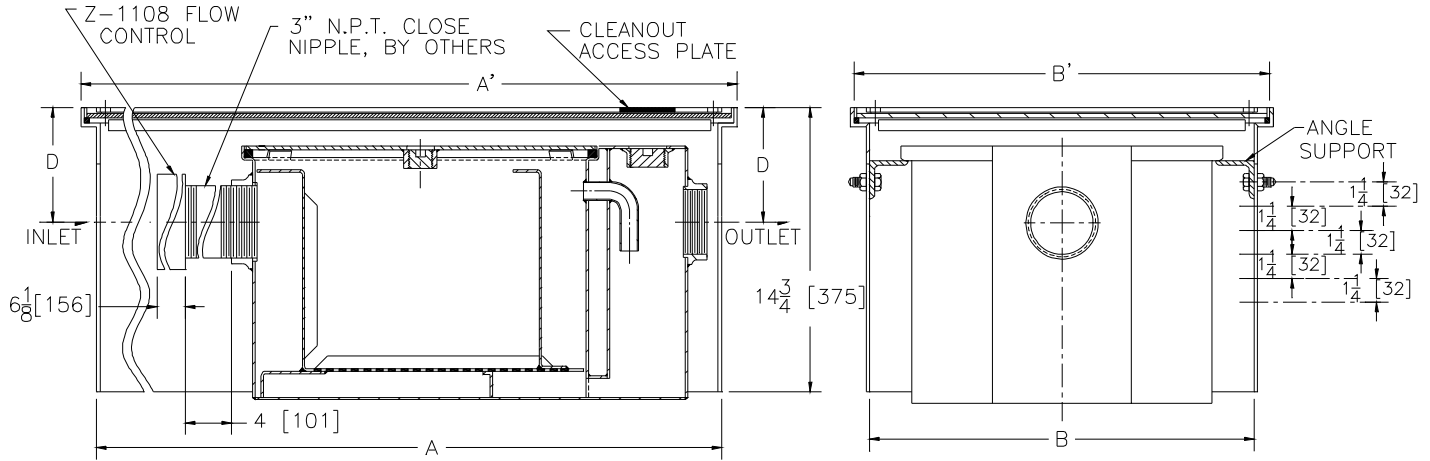
Z1170-87

ADJUSTABLE RECESSING RECEIVER FOR GREASEPTOR WITH FLOW CONTROL FITTING AND CLEANOUT ACCESS PLATE

SPECIFICATION SHEET

TAG _____

Dimensional Data (inches and [mm]) are Subject to Manufacturing Tolerances and Change Without Notice



Size	Dimensions in Inches [mm]				
	A	A'	B	B'	D
300	41 [1041]	43 [1092]	17-1/2 [445]	19-3/8 [492]	4-13/16 [122]
600	50 [1270]	52 [1321]	23-1/4 [590]	25-1/4 [641]	5-7/8 [149]
800	53-1/4 [1353]	55-1/4 [1403]	28 [711]	30 [762]	6-7/8 [175]

ENGINEERING SPECIFICATION: ZURN Z1170-87

Acid resistant epoxy coated recessing receiver equipped with adjustable support brackets and gasketed non-skid cover recessed for tile/terrazzo with recessed and covered lift handle and cleanout access plate. Complete with Z1170 Greaseptor and Z1108 flow control fitting. For Greaseptor specifications see Z1170 drawing.

PREFIXES

___ Z Acid Resistant Coated Fabricated Steel*

SUFFIXES

- ___ -K Anchor flange 1-3/4 [44] down from top and 2 [51] wide. A 3 [76] minimum extension height is required when anchor flange (-K) option is specified.
- ___ -KC Anchor flange 1-3/4 [44] down from top and 2 [51] wide with clamp collar. A 3 [76] minimum extension height is required when anchor flange (-K) option is specified.

* Regularly furnished unless otherwise specified.