



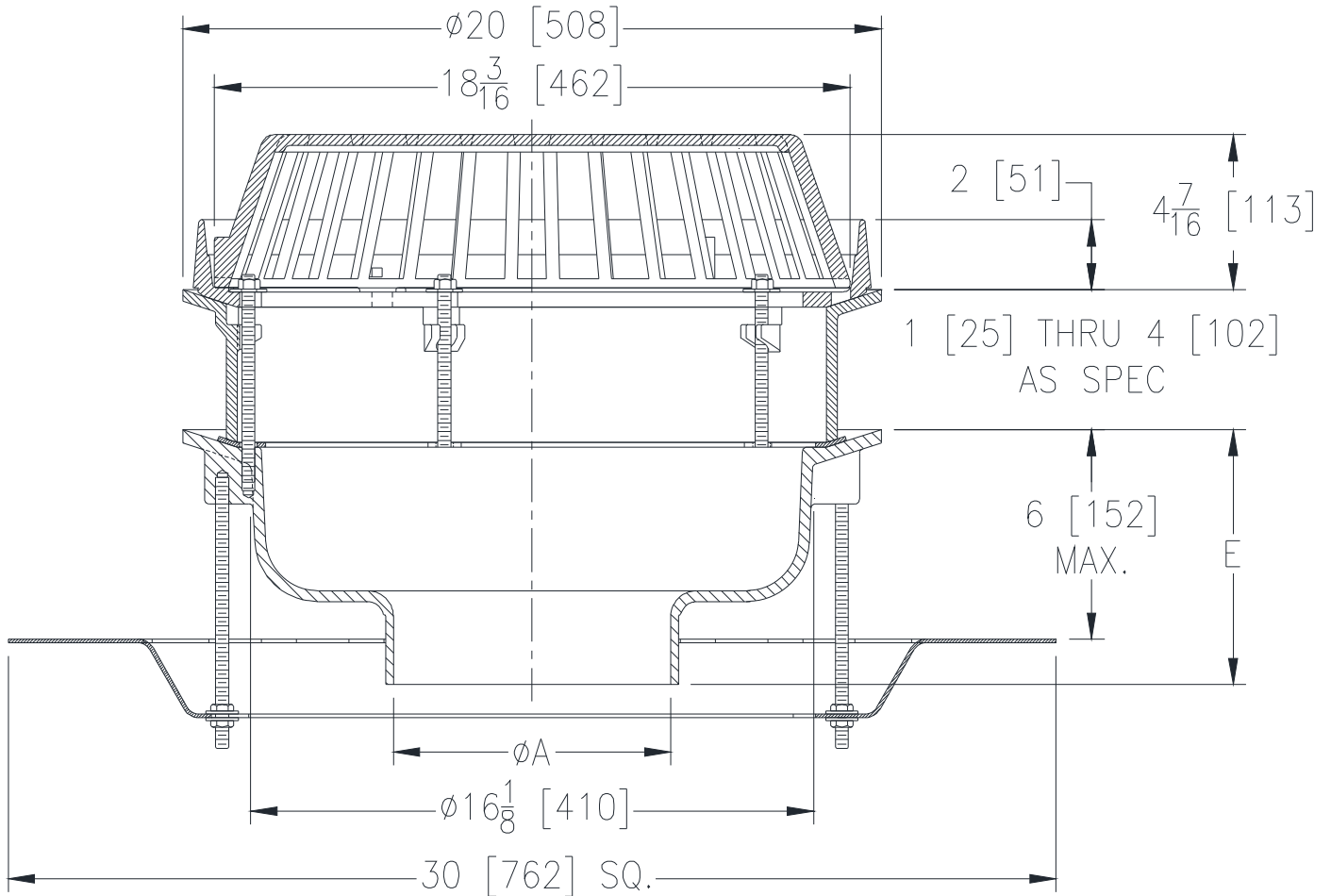
# Z101-E-EB-89

20 [508] DIAMETER MAIN ROOF DRAIN W/ STATIC  
EXTENSION, EXTERNAL WATER DAM & TOP-SET®  
ADJUSTABLE EXTENSION ASSEMBLY

SPECIFICATION SHEET

TAG \_\_\_\_\_

Dimensional Data (inches and [ mm ]) are Subject to Manufacturing Tolerances and Change Without Notice



A- Pipe Size In. [mm]	Approx. Wt. Lbs. [kg]	Dome Open Area Sq. In. [cm <sup>2</sup> ]
8 [203]	110 [50]	216 [1394]
10 [254]	111 [50]	
12 [305]	112 [51]	

**ENGINEERING SPECIFICATION: ZURN Z101-E-EB-89**  
20" [508mm] Diameter roof drain. Dura-Coated cast iron body, clamping collar w/ 2" [51mm] high external water dam, static extension, low silhouette cast iron dome & Top-Set® adjustable extension assembly.

**PIPE SIZE**

8, 10, 12 [203, 254, 305]

(Specify size/type) **OUTLET**

\_\_\_\_\_ NH No-Hub

**E BODY HT. DIM.**

7-5/16 [185]

**PREFIXES**

\_\_\_\_\_ Z D.C.C.I. Body with Cast Iron Dome

**SUFFIXES**

\_\_\_\_\_ -AR Acid Resistant Epoxy Coated  
\_\_\_\_\_ -G Galvanized Cast Iron

\* Regularly furnished unless otherwise specified.