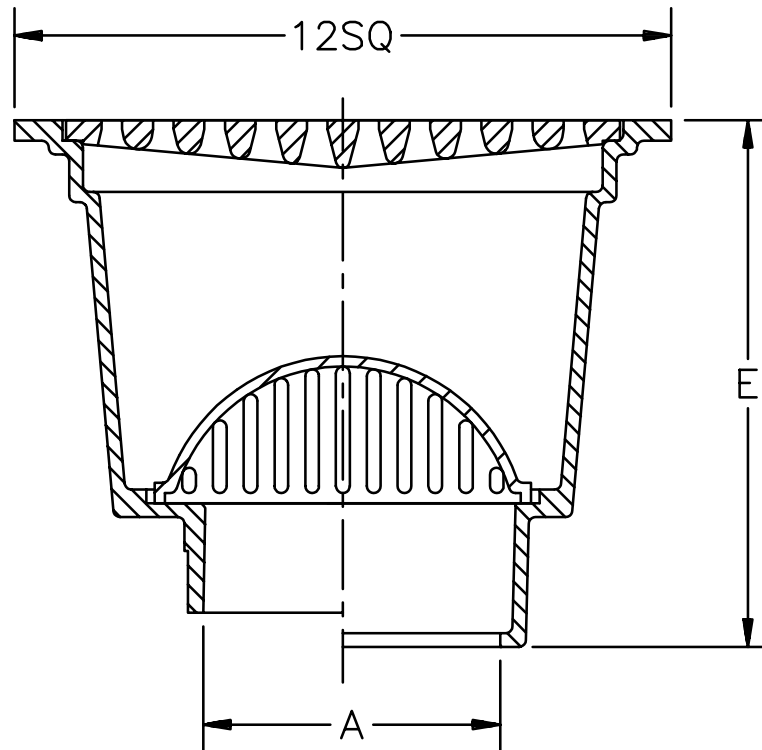




TAG _____

Z-566-78 SQUARE TOP DRAIN

Dimensional Data (inches and [mm]) are Subject to Manufacturing Tolerances and Change Without Notice



A- Pipe Size In.	Approx. Wt. Lbs.
2-3-4	48

ENGINEERING SPECIFICATION: ZURN Z-566-78 12" Square top drain, Dura-Coated cast iron body with bottom outlet, top grate and loose set cast iron bottom dome strainer.

OPTIONS (Check/specify appropriate options)

OUTLET (Specify type)

_____	IC	Inside Caulk
_____	IG	Inside Caulk w/Sealtrol Gskt.
_____	IP	Threaded
_____	NL	Neo-Loc

PIPE SIZE (Specify size)

_____	2",3",4"
_____	2",3",4"
_____	3",4"
_____	2",3",4"

'E' BODY HT. DIMENSION

9-5/8"
9-5/8"
7-5/8"
9"

PREFIXES

_____	Z-	D.C.C.I. Body and Grate*
_____	ZB-	D.C.C.I. Body with Polished Bronze Grate
_____	ZN-	D.C.C.I. Body with Polished Nickel Bronze Grate

SUFFIXES

_____	-AR	Acid Resisting Epoxy Coated Finish
_____	-BT	Bell Trap Bucket
_____	-G	Galvanized Cast Iron
_____	-Y	Sediment Bucket
_____	-2	1/2 Grate

REV.	DATE: 10/1/93	C.N. NO. 69280
DWG. NO. P-13870 PRODUCT NO. Z-566-78		

*REGULARLY FURNISHED UNLESS OTHERWISE SPECIFIED