

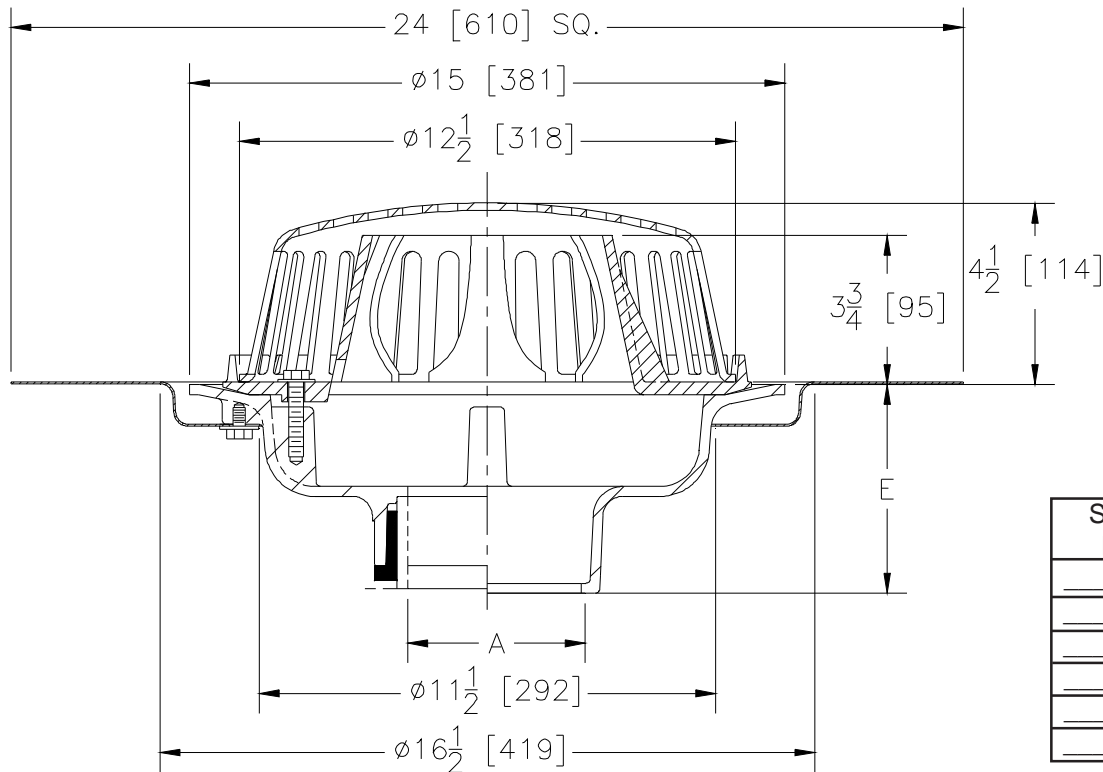


**Z105-DP**  
**CONTROL-FLO ROOF DRAIN**  
**W/ PARABOLIC WEIR & TOP-SET® DECK PLATE**

**SPECIFICATION SHEET**

**TAG** \_\_\_\_\_

Dimensional Data (inches and [ mm ]) are Subject to Manufacturing Tolerances and Change Without Notice



Specify Number of Notches in Weir	
___ -N1	One Notch
___ -N2	Two Notches
___ -N3	Three Notches
___ -N4	Four Notches
___ -N5	Five Notches
___ -N6	Six Notches

A- Pipe Size In. [mm]	Approx. Wt. Lbs. [kg]	Dome Open Area Sq. In. [cm <sup>2</sup> ]
2,3,4 [51,76,102]	44 [20]	103 [665]

**ENGINEERING SPECIFICATION: ZURN Z105-DP**

Control-Flo roof drain for Dead-Level roof construction, Dura-Coated cast iron body, Control-Flo weir shall be linear functioning with integral membrane flashing clamp/gravel guard, Top-Set® deck plate and Poly-Dome. All data shall be verified proportional to flow rates. Each notch will allow 10 GPM of flow per inch of rain water build up above drain.

**OPTIONS** (Check/specify appropriate options)

**PIPE SIZE**

- 3, 4 [76,102]
- 2, 3, 4 [51,76,102]
- 2, 3, 4 [51,76,102]

(Specify size/type) **OUTLET**

- \_\_\_ IC Inside Caulk
- \_\_\_ NH No-Hub
- \_\_\_ NL Neo-Loc

**E BODY HT. DIM.**

- 5-1/4 [133]
- 5-1/4 [133]
- 4-5/8 [117]

**PREFIXES**

- \_\_\_ Z D.C.C.I. Body with Poly-Dome\*
- \_\_\_ ZA D.C.C.I. Body with High Aluminum Dome
- \_\_\_ ZC D.C.C.I. Body with Cast Iron Dome

**SUFFIXES**

- \_\_\_ -E Static Extension 1 [25] thru 4 [102] (Specify Ht.)
- \_\_\_ -EA Adjustable Extension Assembly 2-1/8 [54] thru 3-1/2 [89]
- \_\_\_ -G Galvanized Cast Iron
- \_\_\_ -TC Neo-Loc Test Cap Gasket (2,3,4 [51,76,102] NL Bottom Outlet Only)
- \_\_\_ -VP Vandal Proof Secured Top
- \_\_\_ -10 Parabolic Weir for Sloped Roof

\* Regularly furnished unless otherwise specified.