



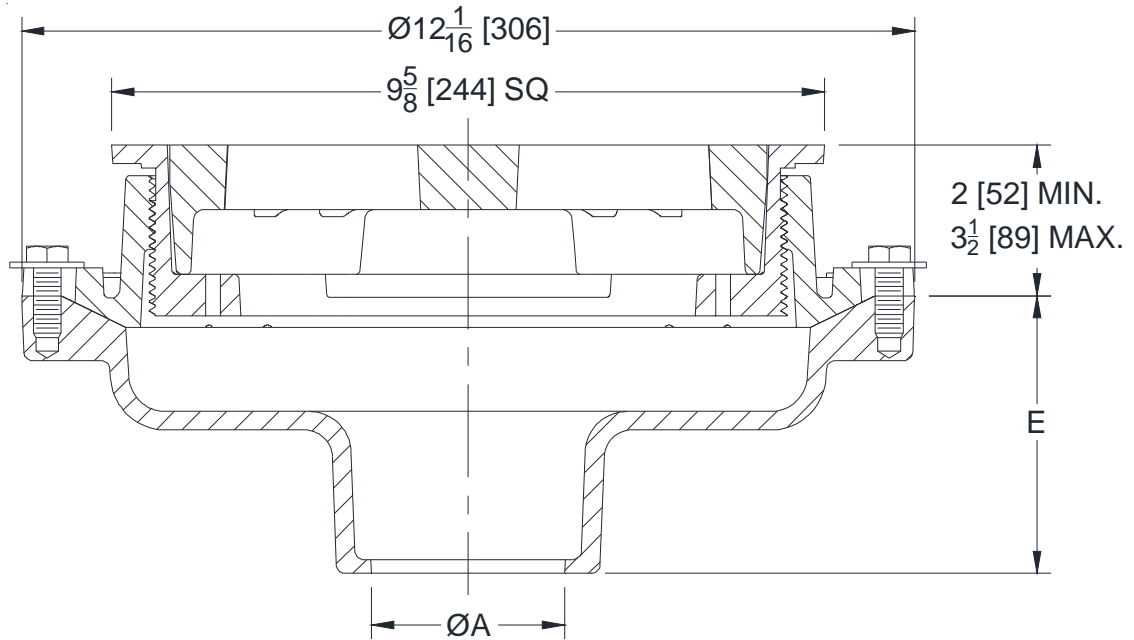
Z520-T

9-5/8 [244] SQUARE TOP ADJUSTABLE
HEAVY-DUTY DRAIN

SPECIFICATION SHEET

TAG _____

Dimensional Data (inches and [mm]) are Subject to Manufacturing Tolerances and Change Without Notice



A Pipe Size In.[mm]	Approx. Wt. Lbs. [kg]	Grate Open Area Sq. In. [cm ²]
2, 3, 4 [51, 76, 102]	35 [16]	15 [97]
6 [152]	38 [17]	

ENGINEERING SPECIFICATION: ZURN Z520-T
9-5/8 [244mm] Square top drain, Dura-Coated cast iron body with bottom outlet, seepage pan, membrane flashing clamp with seepage slots, and adjustable extension frame with heavy-duty cast iron deep flange slotted grate.

OPTIONS (Check/specify appropriate options)

PIPE SIZE	(Specify size/type)	OUTLET	'E' BODY HT. DIM.
4 [102]	_____	IC Inside Caulk	3-3/4 [95]
4 [102]	_____	IG Inside Gasket	3-3/4 [95]
4 [102]	_____	IP Threaded	2-3/4 [70]
2, 3, 4 [51, 76, 102]	_____	NH No-Hub	4-3/4 [121]
6 [152]	_____	NH No-Hub	5-1/4 [133]
2, 3, 4 [51, 76, 102]	_____	NL Neo-Loc	3-9/16 [90]

PREFIXES

- _____ Z D.C.C.I. Body and Top*
- _____ ZN D.C.C.I. Body w/ Polished Nickel Bronze Top (Add 3/16 [5] to 2 [51] to 3-1/2 [89] Dim.)

SUFFIXES

- | | |
|---|---|
| _____ -DG Duresist Grate | _____ -TS Top Secured with Slotted Screws |
| _____ -G Galvanized Cast Iron | _____ -V Backwater Valve (See Z1099) |
| _____ -HP Heel-Proof Grate (9 [58] Open Area) | _____ -VP Vandal-Proof Secured Top |
| _____ -P Trap Primer Connection | _____ -Y Sediment Bucket |
| _____ -S Secondary Strainer (2-4 [51-102] Outlets Only) | _____ -90 90° Threaded Side Outlet Body (4 [102] Size Only) |
| _____ -SS Stainless Mesh Liner for Bucket | |
| _____ -TC Neo-Loc Test Cap Gasket (2, 3, 4 [51, 76, 102] NL Bottom Outlet Only) | |

* Regularly furnished unless otherwise specified.