



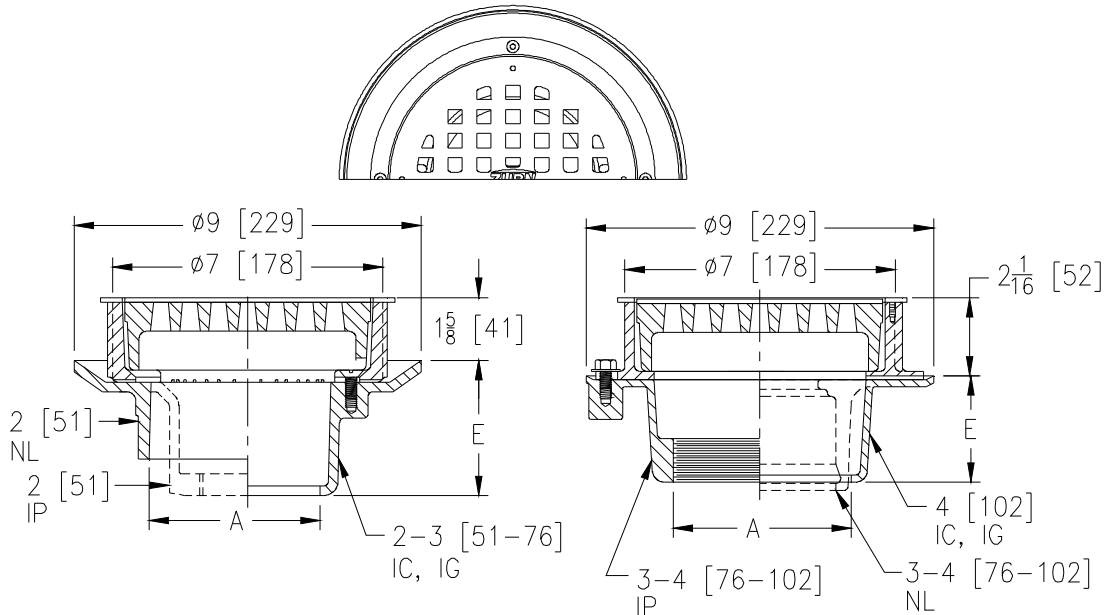
# Z507-78

## 7 [178] MEDIUM DUTY DRAIN W/ STAINLESS STEEL VENEER GRATE WITH SQUARE OPENINGS

SPECIFICATION SHEET

TAG \_\_\_\_\_

Dimensional Data (inches and [ mm ]) are Subject to Manufacturing Tolerances and Change Without Notice



A Pipe Size In.	Approx. Wt. Lbs. [kg]	Grate Open Area Sq. In. [cm <sup>2</sup> ]
2-3-4 [51-76-102]	15 [7]	5.7 [37]

### ENGINEERING SPECIFICATION: ZURN Z507-78

7 [178] Diameter top drain, Dura-Coated cast iron body with bottom outlet, seepage pan and combination membrane flashing clamp and frame for medium-duty cast iron deep flange with Type 304 custom stainless steel frame and grate veneer with square openings.

### OPTIONS (Check/specify appropriate options)

#### PIPE SIZE

- 2-3 [51-76]
- 2-3 [51-76]
- 4 [102]
- 4 [102]
- 2 [51]
- 3-4 [76-102]
- 2 [51]
- 3-4 [76-102]

#### (Specify size/type) OUTLET

- \_\_\_ IC Inside Caulk
- \_\_\_ IG Inside Gasket
- \_\_\_ IC Inside Caulk
- \_\_\_ IG Inside Gasket
- \_\_\_ IP Threaded
- \_\_\_ IP Threaded
- \_\_\_ NL Neo-Loc
- \_\_\_ NL Neo-Loc

#### 'E' BODY HT. DIM.

- 3-1/2 [89]
- 3-1/2 [89]
- 2-3/4 [70]
- 2-3/4 [70]
- 3-1/2 [89]
- 2-3/4 [70]
- 3-7/16 [87]
- 3 [76]

#### PREFIXES

- \_\_\_ ZS D.C.C.I. Body and Polished Stainless Steel Top\*
- \_\_\_ ZB D.C.C.I. Body with Polished Bronze Top
- \_\_\_ ZN D.C.C.I. Body with Polished Nickel Bronze Top

#### SUFFIXES

- \_\_\_ -AR Acid Resisting Epoxy Coated Cast Iron
- \_\_\_ -F 2 [51] Extension Frame
- \_\_\_ -P Trap Primer Connection
- \_\_\_ -S Secondary Strainer
- \_\_\_ -TC Neo-Loc Test Cap Gasket (2 - 4 [51 - 102] NL Bottom Outlet Only)
- \_\_\_ -TS Top Secured with Slotted Screws
- \_\_\_ -VP Vandal-Proof Secured Top
- \_\_\_ -Y Sediment Bucket

\* Regularly furnished unless otherwise specified.