



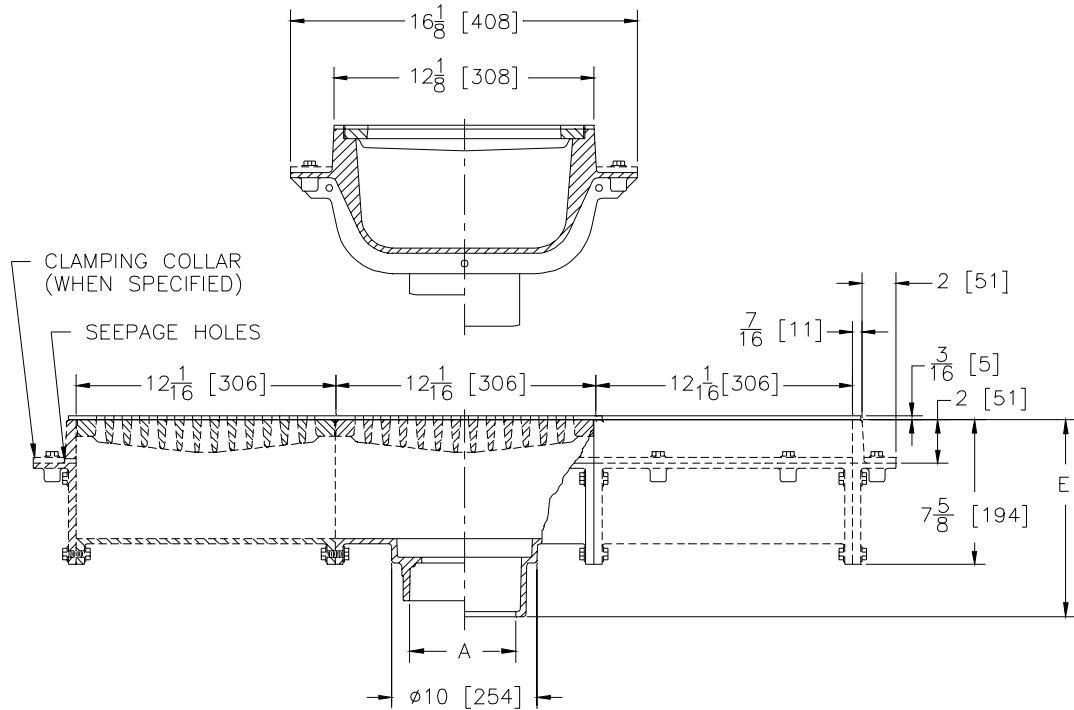
ZN-665-HP

SPECIFICATION SHEET

12 [305] WIDE MODULAR TRENCH DRAIN HEAVY DUTY W/HEEL-PROOF GRATE

TAG _____

Dimensional Data (inches and [mm]) are Subject to Manufacturing Tolerances and Change Without Notice



A Pipe Size	Approx. Wt. Lbs.	Grate Open Area Sq. In. (Per Section)
2-3-4 [51-76-102]	100 [45]	32 [148]
5-6 [127-152]	110 [50]	

ENGINEERING SPECIFICATION ZN665-HP

12 [305] Wide top modular trench drain, Dura-Coated cast iron deep sump body with bottom outlet. Both 12 [305] long outlet module and 12 [305] extension module are complete with integral seepage pan and heel-proof grate with frame.

OPTIONS (Check/specify appropriate options)

PIPE SIZE

2 thru 6 [51 thru 152]
2, 3, 4, 6 [51, 76, 102, 152]
2 thru 4 [51 thru 102]

(Specify size/type) OUTLET

___ IC Inside Caulk
___ IG Inside Gasket
___ NL Neo-Loc

'E' BODY HT. DIM.

13 3/8 [340]
13 3/8 [340]
12 11/16 [322]

PREFIXES

___ ZB D.C.C.I. Body w/ Polished Bronze Top
___ ZN D.C.C.I. Body w/ Polished Stainless Steel Top*

SUFFIXES

___ -AR Acid Resisting Epoxy Coated Cast Iron (Per Section)
___ -C Clamp Collar (Per Section)
___ -DB Bottom Dome Strainer (Per Section)
___ -DG Duresist Grate (Per Section)
___ -ES 12 [305] Extension Section (Specify Number of Sections Required)
___ -G Galvanized Cast Iron
___ -M Side Outlet Adapter Via End Plate
___ -SB Shallow Body (Bucket not available with this option)
___ -SQ Square Hole Grate (Per Section)
___ -TC Neo-Loc Test Cap Gasket (2 - 4 [51 - 102] NL Bottom Outlet Only)
___ -TS Top Secured with Slotted Screws (Per Section)
___ -VP Vandal-Proof Secured Top (Per Section)
___ -Y Sediment Bucket (Per Outlet Section)

REV. B DATE: 4/20/07 C.N. NO. 96502

DWG. NO. 60109 PRODUCT NO. Z665-HP

*REGULARLY FURNISHED UNLESS OTHERWISE SPECIFIED