

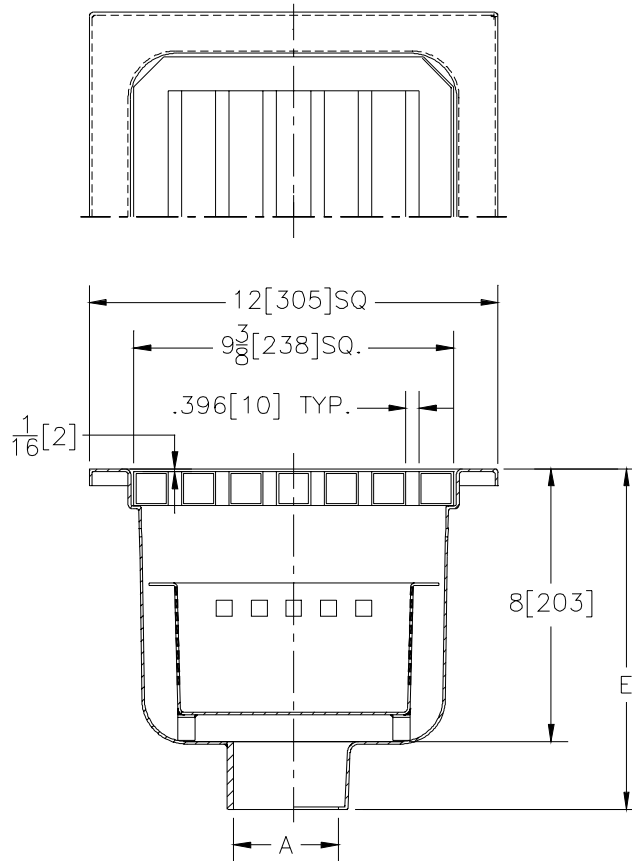


# Z-1751-109

## 12 X 12 [305 X 305] SANI-FLOR RECEPTOR 8 [203] SUMP DEPTH

TAG \_\_\_\_\_

Dimensional Data (inches and [ mm ]) are Subject to Manufacturing Tolerances and Change Without Notice



A- Pipe Size In.	Approx. Wt. Lbs. [kg]	Grate Open Area Sq. In. [cm <sup>2</sup> ]
2-3-4 [50-75-100]	19 [9]	17 1/2 [113]

**ENGINEERING SPECIFICATION: ZURN Z-1751-109**  
 12 x 12 x 8 [305 x 305 x 203] deep, 14 gage, All Type 304 (CF8) Stainless Steel light duty Sani-Flor receptor with square stainless steel 16 gage tube frame with five cross grate tubes and sediment bucket.

**OPTIONS** (Check/specify appropriate options)

**PIPE SIZE**

- 2 thru 4 [50 thru 100]
- 2 [50]
- 3 [75]
- 4 [100]
- 2 thru 4 [50 thru 100]
- 2 thru 4 [50 thru 100]

(Specify size/type) **OUTLET**

- \_\_\_ IC Inside Caulk
- \_\_\_ IP Threaded
- \_\_\_ IP Threaded
- \_\_\_ IP Threaded
- \_\_\_ NH No-Hub
- \_\_\_ NL Neo-Loc

**'E' BODY HT. DIM.**

- 10 9/16 [268]
- 9 5/16 [237]
- 9 9/16 [243]
- 10 1/16 [256]
- 10 1/16 [256]
- 9 13/16 [249]

**PREFIXES**

- \_\_\_ Z- Type 304 (CF8) Stainless Steel Body

**SUFFIXES**

- \_\_\_ -DX Dexotex Flange
- \_\_\_ -K Seepage Pan
- \_\_\_ -KC Seepage Pan With Clamp Collar
- \_\_\_ -P 1/2 Trap Primer Connection

REV.	DATE: 6/24/98	C.N. NO. 80745
DWG. NO. P-14639		PRODUCT NO. Z-1751-109

\*REGULARLY FURNISHED UNLESS OTHERWISE SPECIFIED