

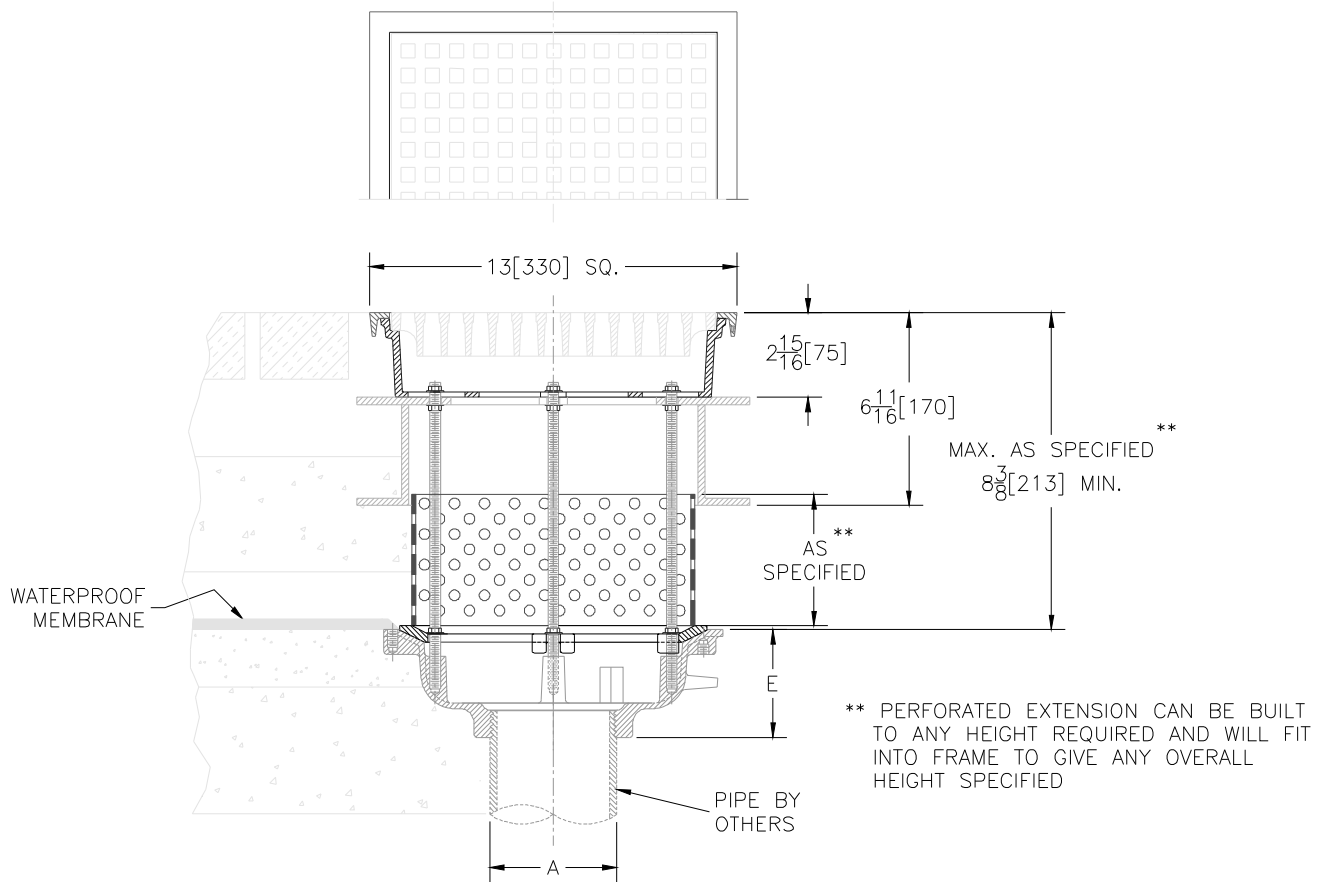


ZN-121-82 13" SQUARE PLAZA DRAIN

TAG

PD1, 1A, 1B

Dimensional Data (inches or [mm]) are Subject to Manufacturing Tolerances and Change Without Notice



A Pipe Size In.[mm]	Approx. Wt. Lbs.[kg]	Grate Open Area Sq. In.[cm ²]
2,3,4,6[50,75,100,150]	54 [24]	44 [284]

ENGINEERING SPECIFICATION: ZURN ZN-121-82 13[330] Square top drain. Dura-Coated cast iron body with flat clamping collar, stainless steel perforated extension, vertical and lateral adjustable extension frame combination and nickel bronze frame and solid grate with 1/2[13] square holes.

OPTIONS (Check/specify appropriate options)

OUTLET (Specify type)
 _____ **IP** Threaded

PIPE SIZE (Specify size)
 _____ 2,3,4,6[50,75,100,150]

'E' BODY HT. DIMENSION
 3 3/4 [95]

PREFIXES

- _____ **ZB-** D.C.C.I. Body with Polished Bronze Top.
- _____ **ZN-** D.C.C.I. Body with Polished Nickel Bronze Top.*

REV. F	DATE: 08/23/96	C.N. NO. 75516
DWG. NO. P-14325		PRODUCT NO. ZN-121-82

*REGULARLY FURNISHED UNLESS OTHERWISE SPECIFIED