



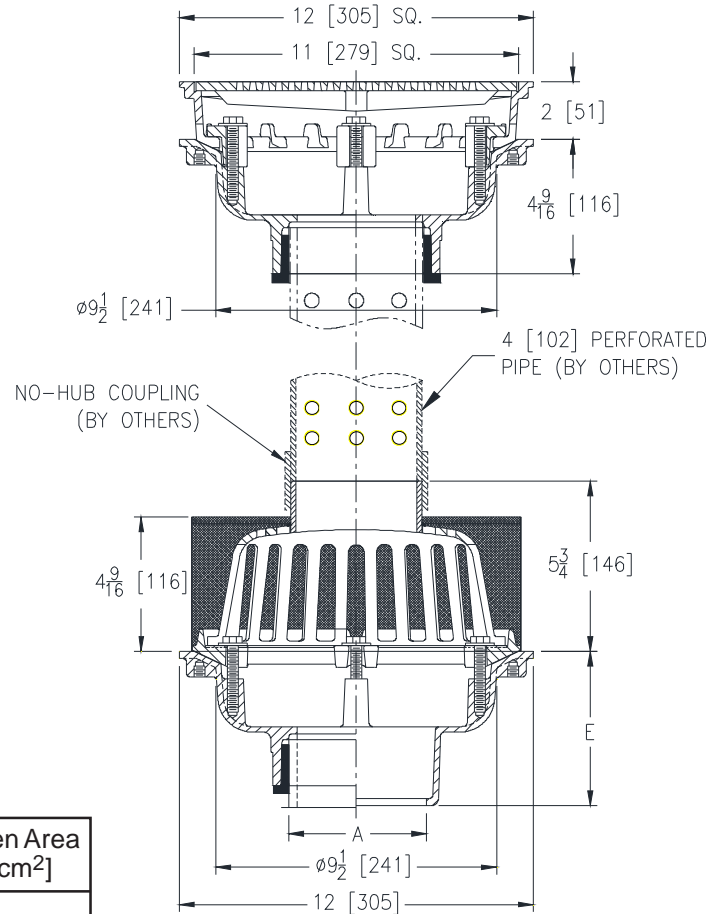
Z121-127

12 [305] DIAMETER MAIN ROOF DRAIN
WITH 12 [305] TOP PROM-DECK DRAIN

SPECIFICATION SHEET

TAG _____

Dimensional Data (inches and [mm]) are Subject to Manufacturing Tolerances and Change Without Notice



ENGINEERING SPECIFICATION: ZURN Z121-127

12" [305mm] Diameter roof drain. Dura-Coated cast iron body with combination membrane flashing clamp/gravel guard and low silhouette cast iron dome with 4" [102mm] no-hub standpipe, stainless steel mesh over dome and upper body consist of a Z154 12" [305mm] square Top Prom-Deck drain, Dura-coated cast iron body with rotatable light duty square promenade frame with seepage openings, frame clamps and light duty heel-proof grate.

A Pipe Size In. [mm]	Approx. Wt. Lbs. [kg]	Dome Open Area Sq. In. [cm ²]	Grate Open Area Sq. In. [cm ²]
2,3,4 [51,76,102]	40 [18]	78 [503]	34 [219]
6 [152]	39 [17]		

OPTIONS (Check/specify appropriate options)

PIPE SIZE

2,3,4,5,6 [51,76,102,127,152]
2,3,4,5,6 [51,76,102,127,152]
2,3,4,5,6 [51,76,102,127,152]
2,3,4,6 [51,76,102,152]

(Specify size/type) OUTLET

____ IC Inside Caulk
____ IP Threaded
____ NH No-Hub
____ NL Neo-Loc

E BODY HT. DIM.

5-1/4 [133]
3-3/4 [95]
5-1/4 [133]
4-9/16 [116]

PREFIXES

____ Z D.C.C.I. Body and Dome*

SUFFIXES

____ -AR Acid Resistant Epoxy Coated	____ -GD Galvanized Cast Iron Dome
____ -C Underdeck Clamp	____ -R Roof Sump Receiver
____ -DP Top-Set® Deck Plate (Replaces both the -C and -R)	____ -TC Neo-Loc Test Cap Gasket (2,3,4 [51,76,102] NL Bottom Outlet Only)
____ -DR Top-Set® Drain Riser	____ -VP Vandal-Proof Secured Top
____ -EB Top-Set® Adjustable Extension Assembly	____ -90 90° Threaded Side Outlet Body (2,3,4,6 [51,76,102,152])
____ -G Galvanized Cast Iron	

* Regularly furnished unless otherwise specified.